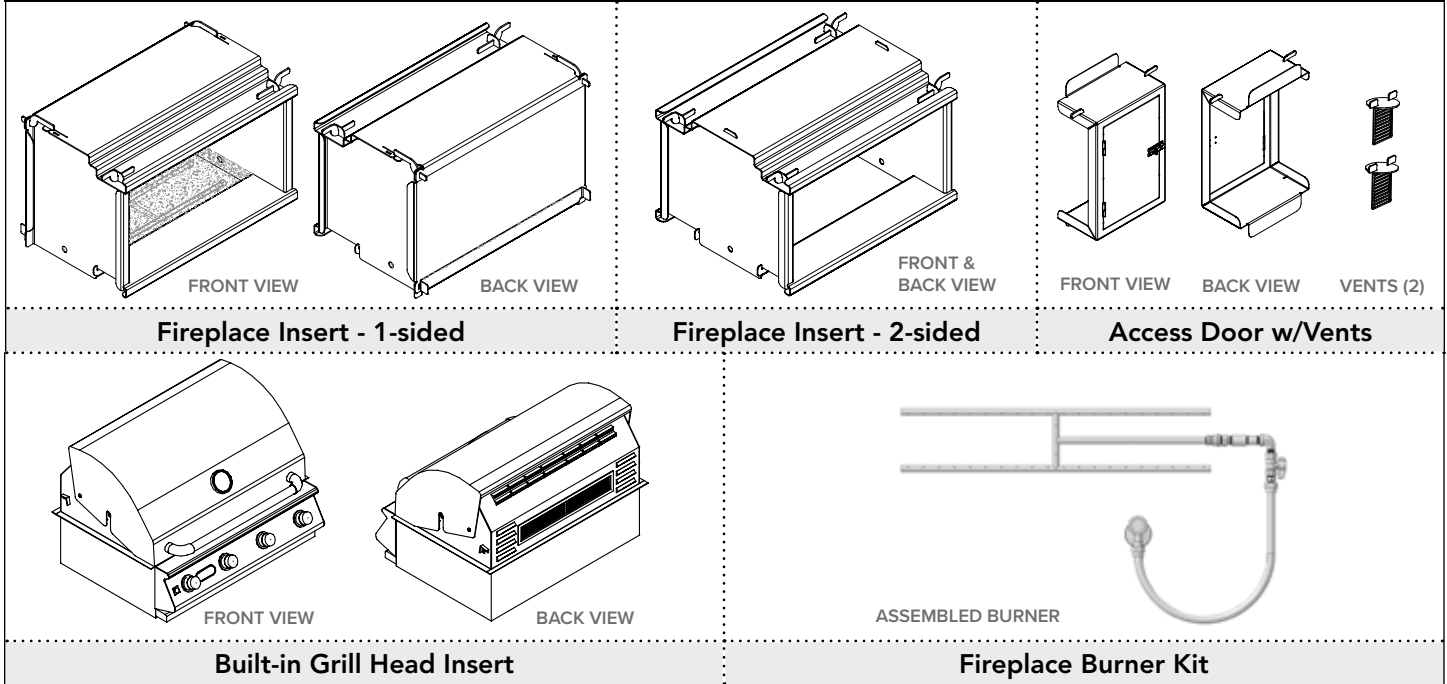




## STONEGATE® NO-CUT DESIGNS | ACCESSORIES Sold Separately



### Fireplace Insert & Access Door Options

Manufacturer	Model	Description	Notes
RJ Thomas	RJT FPI-3	2-sided fireplace insert, black carbon steel	Discounts start at 6 units. Additional discounts for orders of 100+ units.
RJ Thomas	RJT FPI-4	1-sided fireplace insert, black carbon steel	
RJ Thomas	RJT FPI-D	Access door w/ 2 vents, black carbon steel	
RJ Thomas	RJT FPI-3/S	2-sided fireplace insert, stainless steel	
RJ Thomas	RJT FPI-4/S	1-sided fireplace insert, stainless steel	
RJ Thomas	RJT FPI-D/S	Access door w/ 2 vents, stainless steel	

Request a quote from RJ Thomas via; website [www.pilotrock.com/stonegate-certified-products](http://www.pilotrock.com/stonegate-certified-products), email [customerservice@rjthomas.com](mailto:customerservice@rjthomas.com) or call 800-762-5002

### Grill Heads Options

Manufacturer	Model	Description	Notes
Coyote	C2C34	Grill head; 32 in. block opening; counter cutout width 31 in.; fascia width 34 in.	Purchase from a local distributor of your choice.
Bull	Angus	Grill head; 32 in. block opening; counter cutout width 31 in.; fascia width 30½ in.	
Bull	Lonestar	Grill head; 32 in. block opening; counter cutout width 31 in.; fascia width 30½ in.	
Bull	Outlaw	Grill head; 32 in. block opening; counter cutout width 31 in.; fascia width 30½ in.	
Blaze	BLZ-4	Grill head; 32 in. block opening; counter cutout width 30-5/8 in.; fascia width 32½ in.	
AOG	30NBL/T	Grill head; 32 in. block opening; counter cutout width 30-5/8 in.; fascia width 31 in.	

### Fireplace Burner Kits

Manufacturer	Model	Description	Notes
HPC Fire Inspired	FPK/HBS30PS/ST-KIT	Stainless steel H-burner kit for 20 lb LP tank.	Rated at 120K BTU with gas inlet on the end to fit into your design.
HPC Fire Inspired	FPK/HBS30PS/LP-KIT	Stainless steel H-burner kit for hard pipe LP with flex-line	
HPC Fire Inspired	FPK/HBS30PS/NG-KIT	Stainless steel H-burner kit for hard pipe NG with flex-line	

To order from HPC Fire Inspired, email: [scd@hpcfire.com](mailto:scd@hpcfire.com).