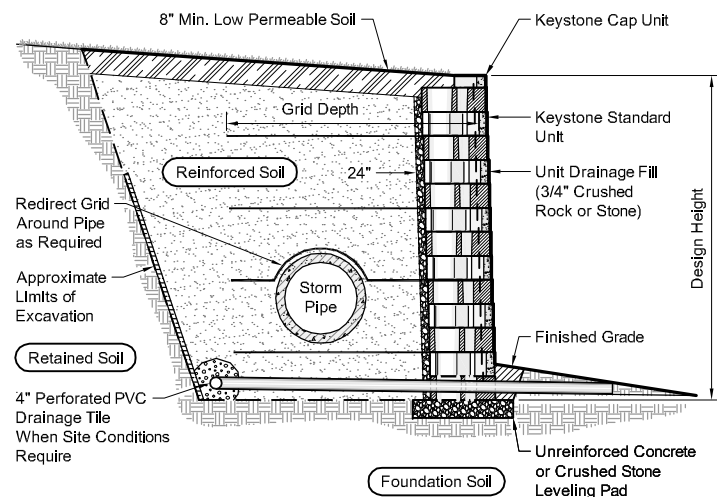
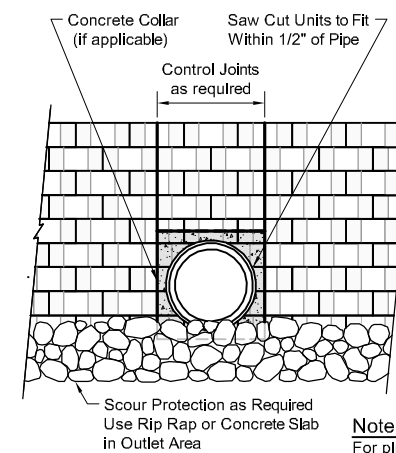


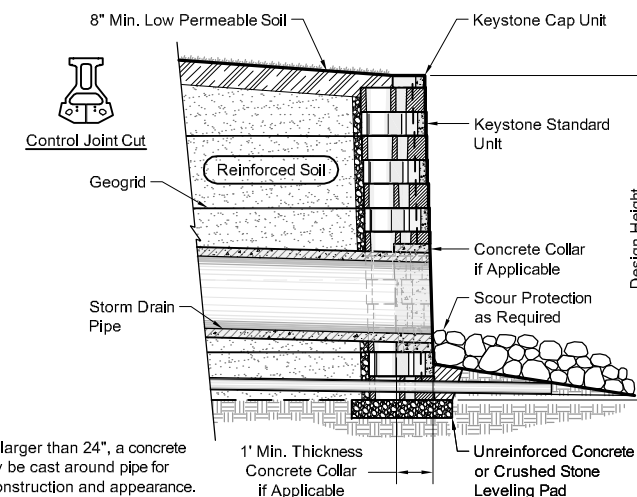
Typical Reinforced Water Wall Section
Standard Unit - Near Vertical Setback



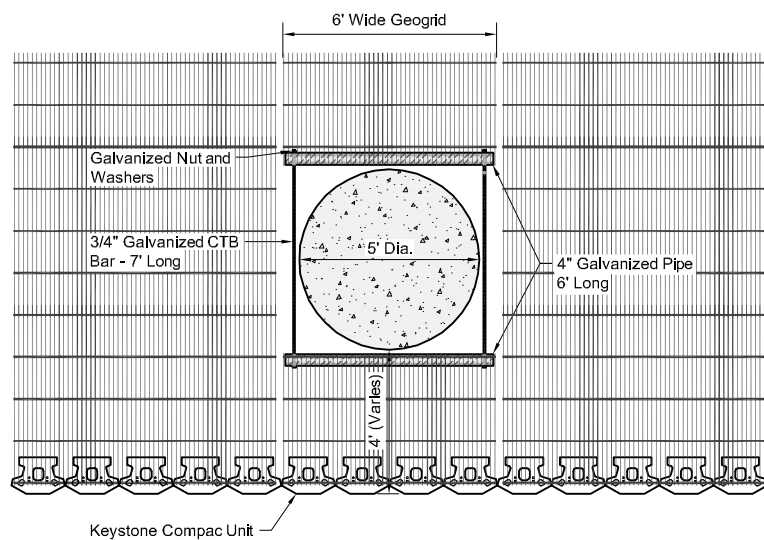
Wall Section with Pipe in Reinforced Zone
Standard Unit - Near Vertical Setback



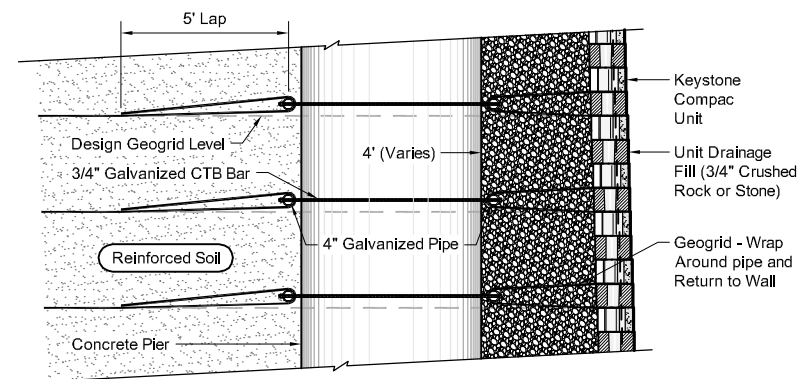
Typical Pipe Outlet Detail



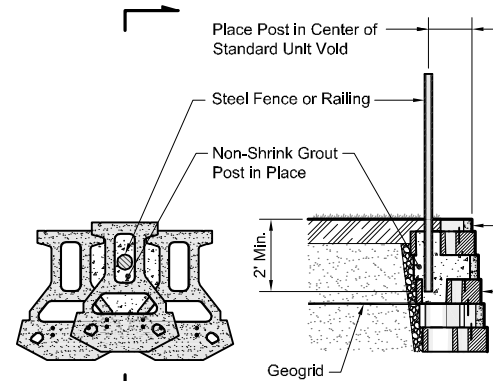
Typical Pipe Outlet Section
Standard Unit - Near Vertical Setback



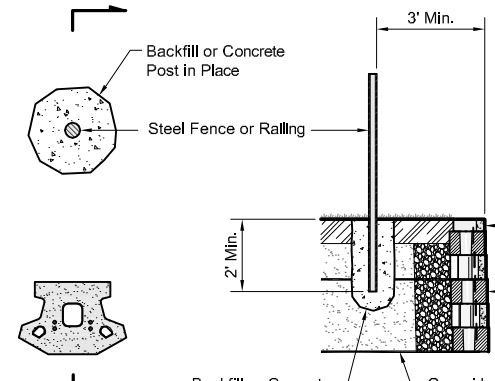
Wall Plan at Pier / Manhole
Compac Unit



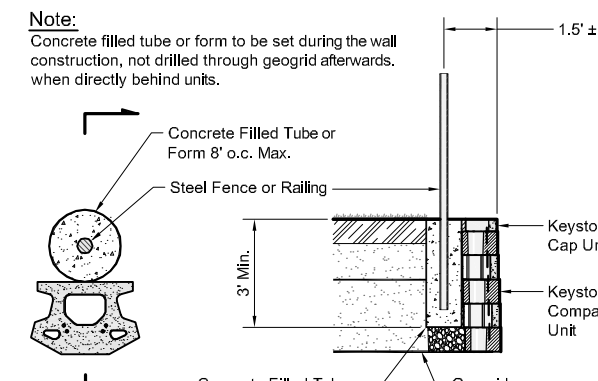
Wall Section at Pier / Manhole
Compac Unit - Near Vertical Setback



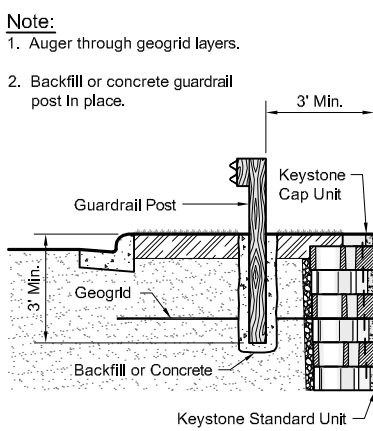
Fence Section Detail
Standard Unit - 1" Setback



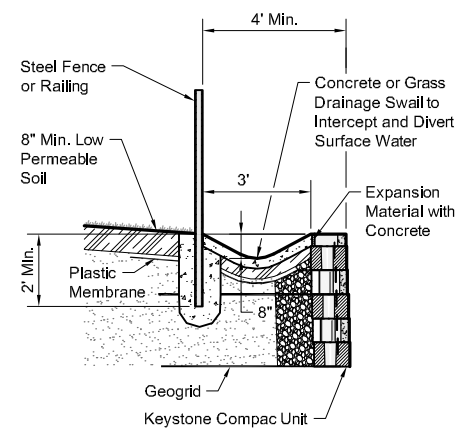
Fence Section Detail
Compac Unit - Near Vertical Setback



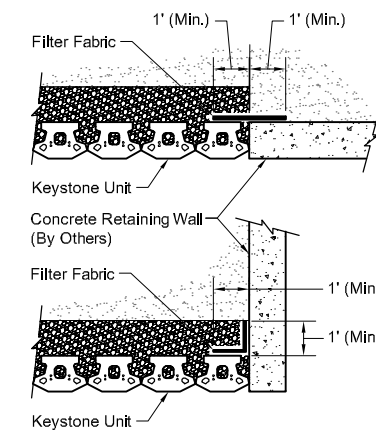
Fence Section & Plan Detail
Compac II Unit - Near Vertical Setback



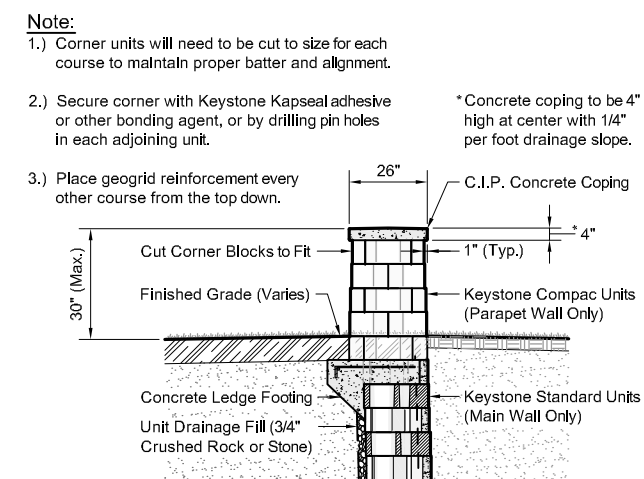
Typical Guardrail Detail
Standard Unit - Near Vertical Setback Shown



Drainage Swale Detail
Compac Unit - Near Vertical Setback Shown



Connection Details
Compac Unit - Shown



Parapet End Detail
Near Vertical Setback Shown

Copyright 2003 Keystone Retaining Wall Systems

Design is for internal stability of the KEYSTONE wall structure only. External stability, including but not limited to foundation and slope stability is the responsibility of the Owner. The design is based on the assumption that the materials within the retained mass, methods of construction, and quality of materials conform to KEYSTONE's specification for this project.

This drawing is being furnished for this specific project only. Any party accepting this document does so in confidence and agrees that it shall not be duplicated in whole or in part, nor disclosed to others without the consent of Keystone Retaining Wall Systems, Inc.

No.	Date	Revision	By



Designed By: RKM	Title: Conceptual Details	Date:
Checked By: CDM	Project: Keystone Retaining Wall Systems Typical Wall Details	Project No:
Scale: No Scale		Drawing No: