

OUTDOOR LIVING DESIGNS

LENZA

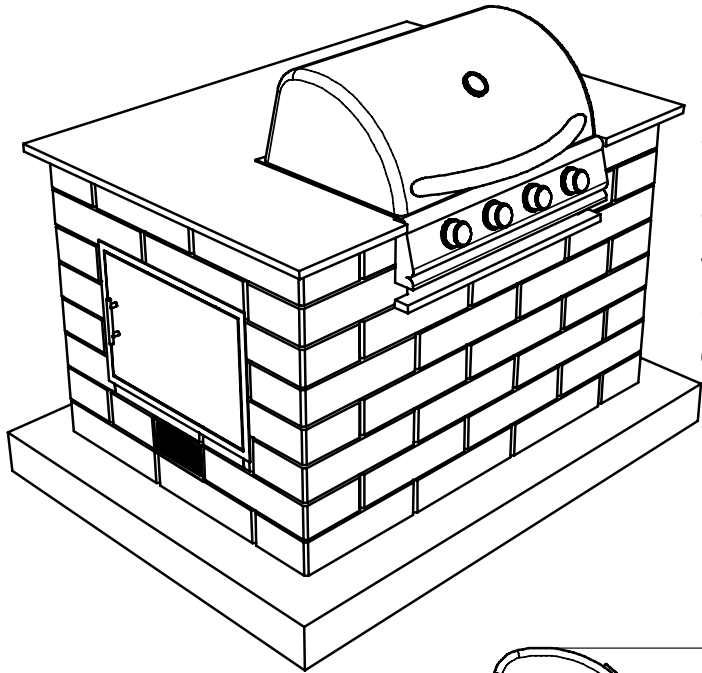
45 X 63 GRILL TOP - LEFT DOOR DESIGN

LENZA - 45 x 63 GRILL TOP - LEFT DOOR DESIGN

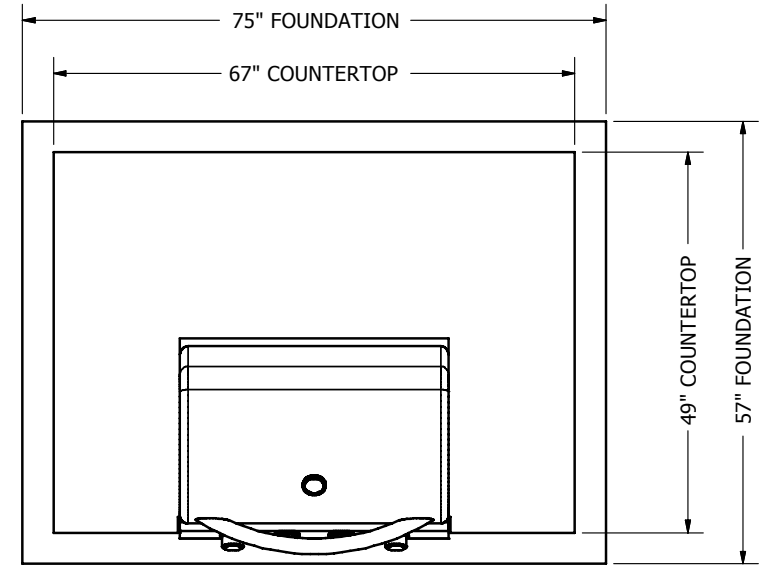
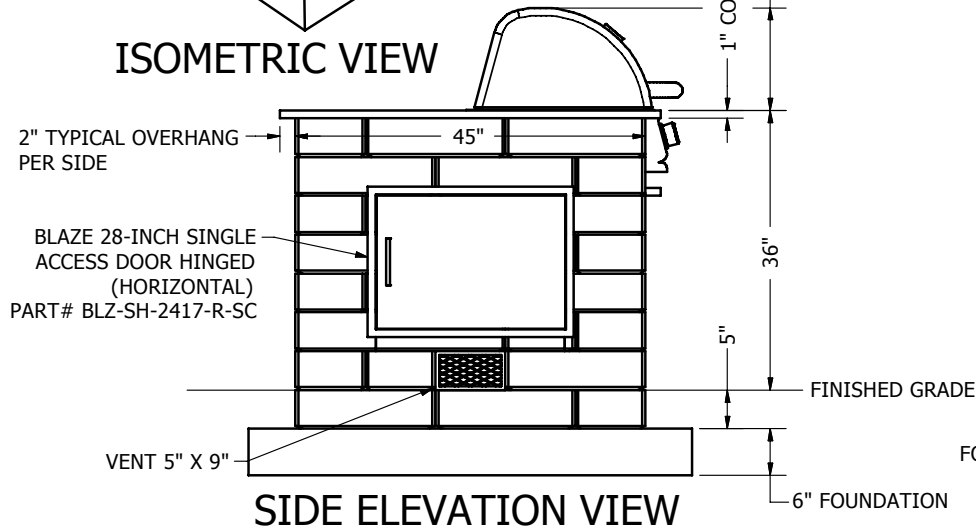
OUTDOOR LIVING DESIGNS

NOTE:

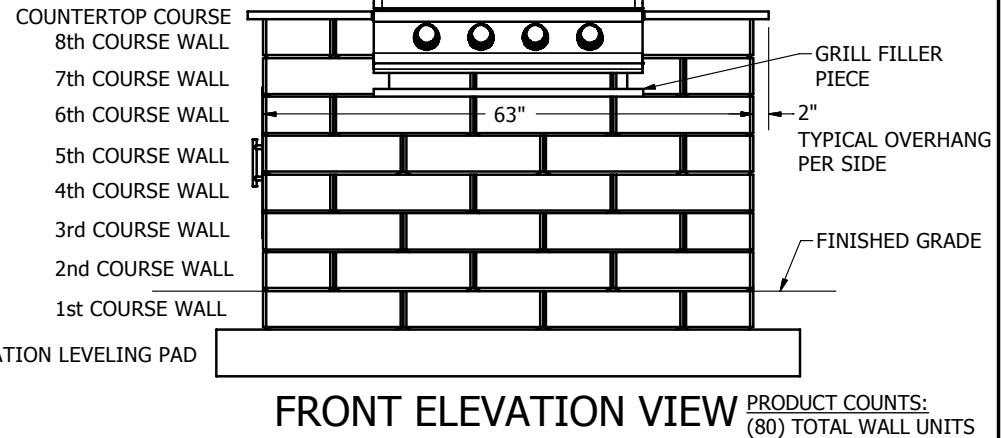
1. WALL UNITS TO BE INSTALLED WITH CHANNEL ON THE BOTTOM SIDE IN ORDER TO GET THE PROPER CONTEMPORARY ESTHETIC LOOK. (WALL PRODUCT TO BE INVERTED 180 DEGREES FROM FINISHED PALLET WHEN INSTALLED).
2. SECURE EACH UNIT USING APPROVED ADHESIVE OR BONDING AGENT FOLLOWING APPLICATION DIRECTIONS PROVIDED BY PRODUCT SUPPLIER.
3. THIS DESIGN REQUIRES CUTTING UNITS TO PROPERLY FIT THE GRILL TOP AND ACCESS DOOR.
4. BUILT-IN GRILL INSERT AND ACCESS DOOR TO BE INSTALLED PER MANUFACTURES RECOMMENDATIONS.
5. STRUCTURAL SUPPORT FOR BLOCK UNITS OVER OPENINGS NOT SHOWN FOR VISUAL PURPOSES.
6. FOR PROPER INSTALLATION OF GAS GRILL REFER TO BLAZE OUTDOOR PRODUCTS - USE & CARE GUIDE GAS GRILLS BLZ-4LBM (NG/LP).
7. ALL DIMENSIONS ARE IN INCHES.

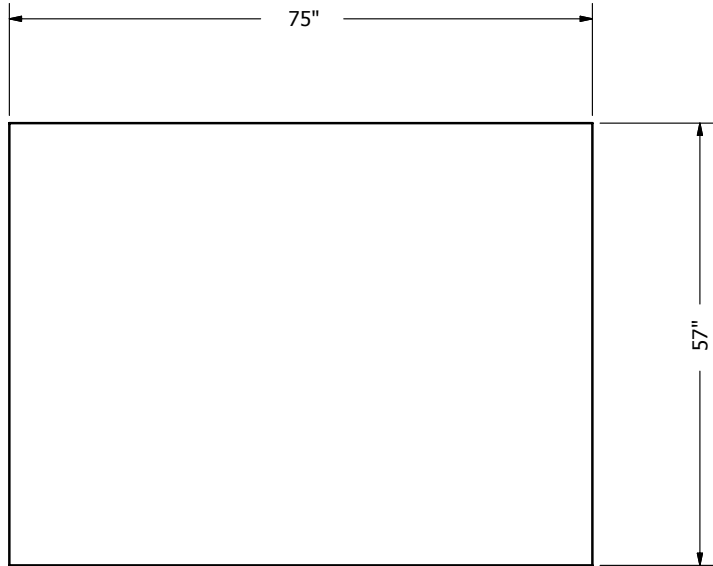


ISOMETRIC VIEW

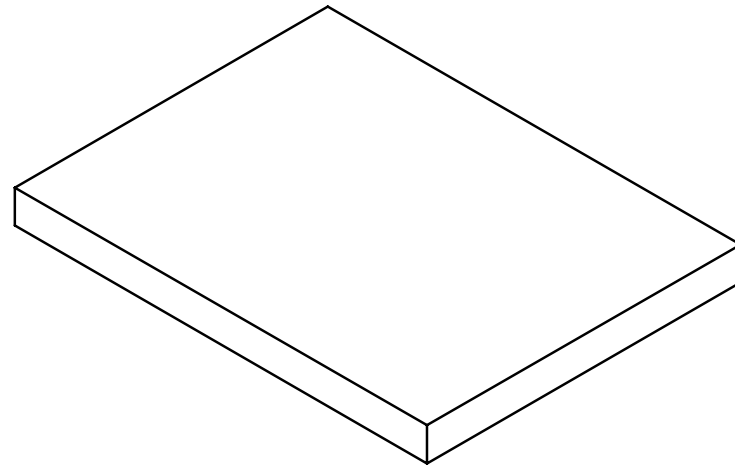


BLAZE PRELUDE LBM 32-INCH 4-BURNER GRILL
PART# BLZ-4LBM-LP/NG

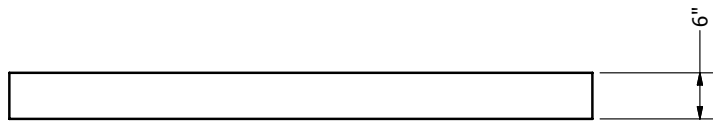




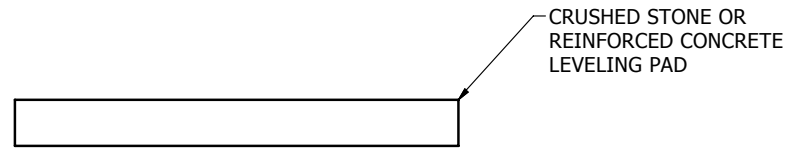
PLAN VIEW



ISOMETRIC VIEW



FRONT ELEVATION VIEW



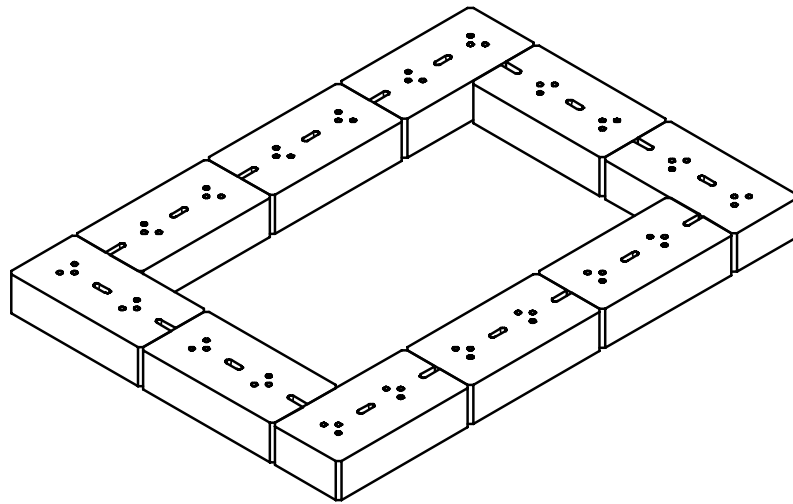
SIDE ELEVATION VIEW

LENZA - 45 x 63 GRILL TOP - LEFT DOOR CUT DESIGN - FOUNDATION LEVELING PAD

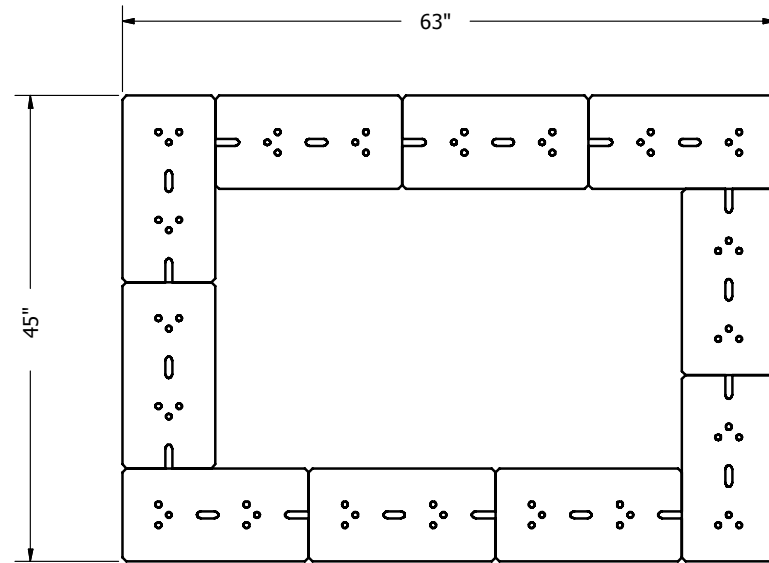
LENZA - 45 x 63 GRILL TOP - LEFT DOOR DESIGN

OUTDOOR LIVING DESIGNS

NOTE:
1. WALL UNITS TO BE INSTALLED WITH CHANNEL ON THE BOTTOM SIDE
(PRODUCT IS TO BE INVERTED 180 DEGREES FROM FINISHED PALLET).



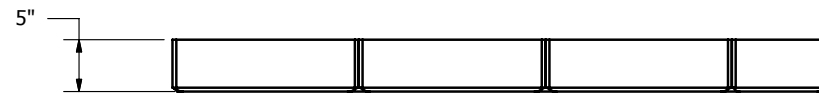
ISOMETRIC VIEW



PLAN VIEW



SIDE ELEVATION VIEW

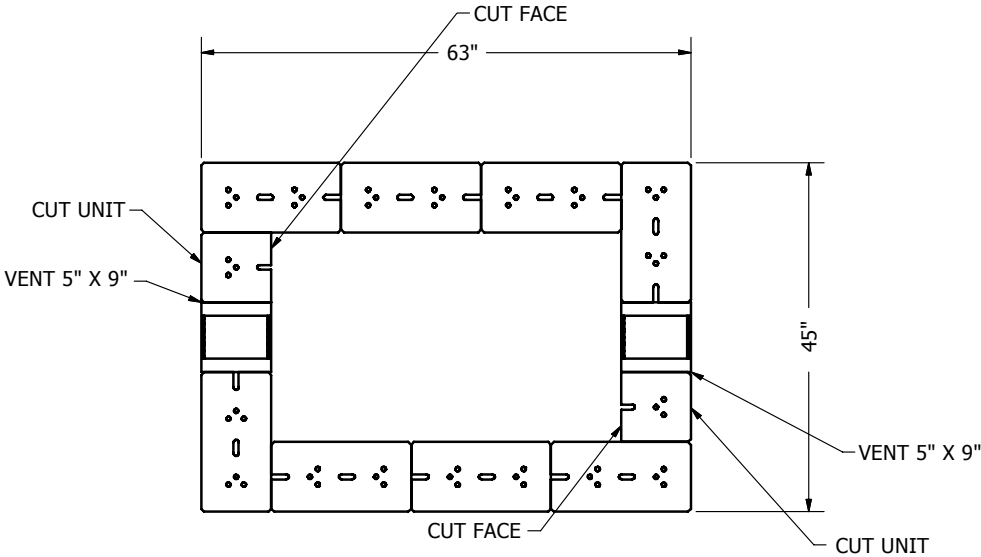


FRONT ELEVATION VIEW

PRODUCT COUNTS:
(10) TOTAL WALL UNITS

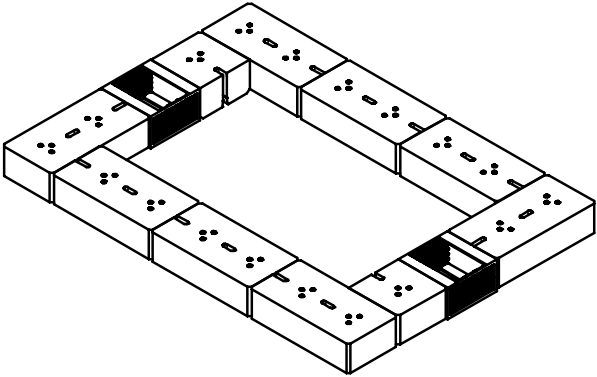
LENZA - 45 x 63 GRILL TOP - LEFT DOOR CUT DESIGN - 1st COURSE

LENZA - 45 x 63 GRILL TOP - LEFT DOOR DESIGN



PLAN VIEW

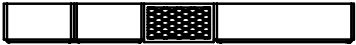
NOTE:
 1. WALL UNITS TO BE INSTALLED WITH CHANNEL ON THE BOTTOM SIDE
 (PRODUCT IS TO BE INVERTED 180 DEGREES FROM FINISHED PALLET).



ISOMETRIC VIEW



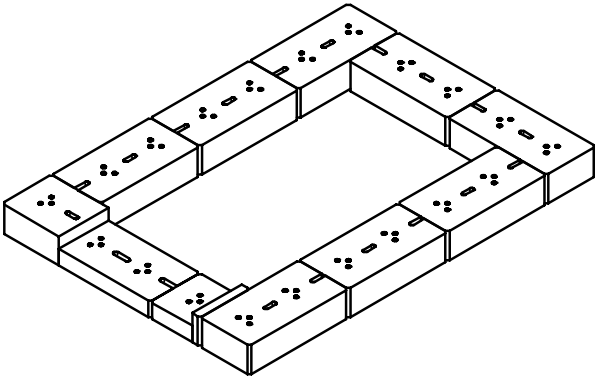
FRONT ELEVATION VIEW



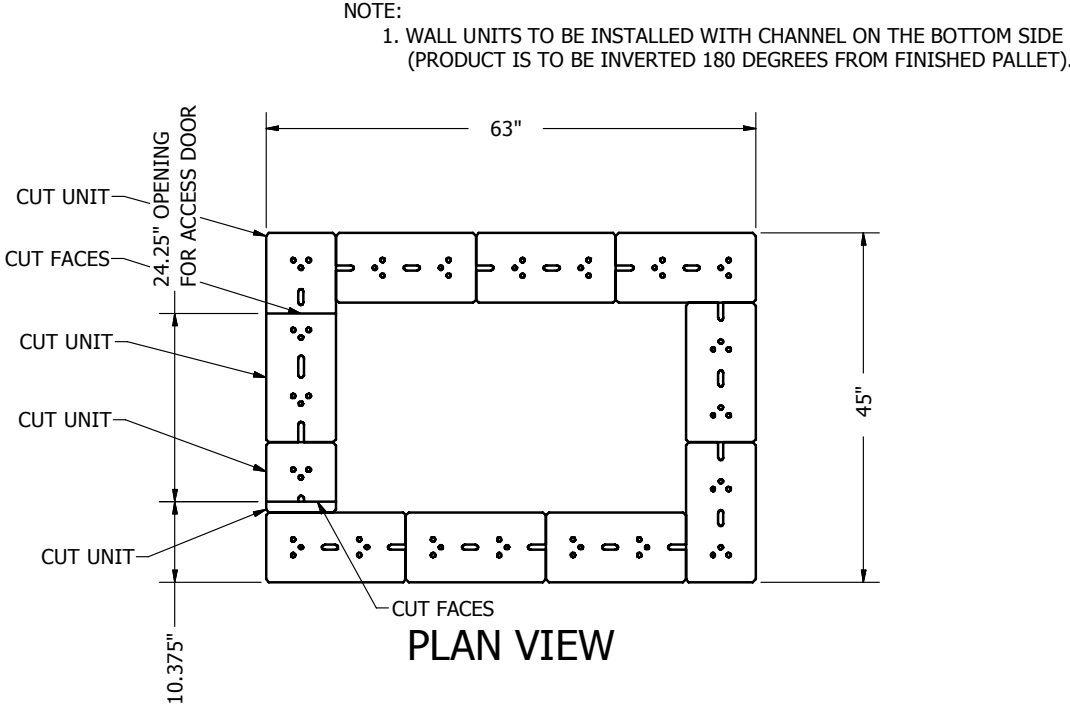
SIDE ELEVATION VIEW

LENZA - 45 x 63 GRILL TOP - LEFT DOOR CUT DESIGN - 2nd COURSE

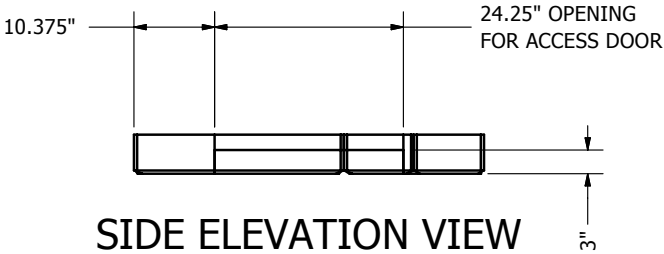
PRODUCT COUNTS:
 (10) TOTAL WALL UNITS



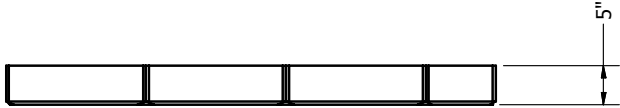
ISOMETRIC VIEW



PLAN VIEW



SIDE ELEVATION VIEW

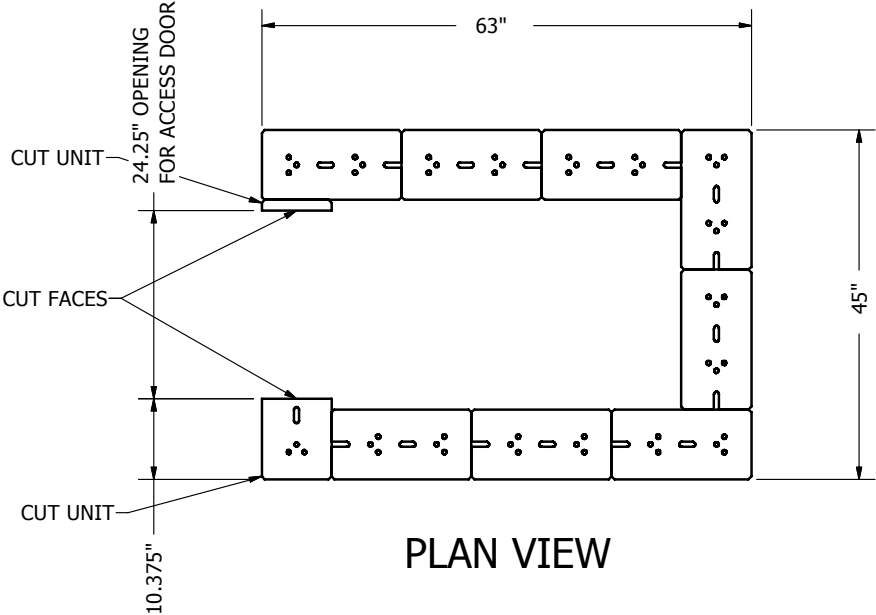


FRONT ELEVATION VIEW

PRODUCT COUNTS:
(12) TOTAL WALL UNITS

LENZA - 45 x 63 GRILL TOP - LEFT DOOR CUT DESIGN - 3rd COURSE

LENZA - 45 x 63 GRILL TOP - LEFT DOOR DESIGN

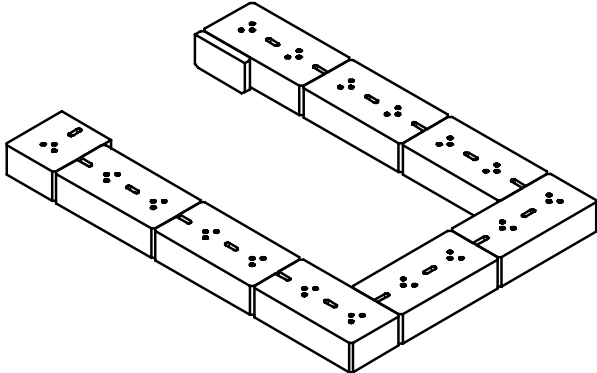


PLAN VIEW



FRONT ELEVATION VIEW

NOTE:
 1. WALL UNITS TO BE INSTALLED WITH CHANNEL ON THE BOTTOM SIDE (PRODUCT IS TO BE INVERTED 180 DEGREES FROM FINISHED PALLET).



ISOMETRIC VIEW

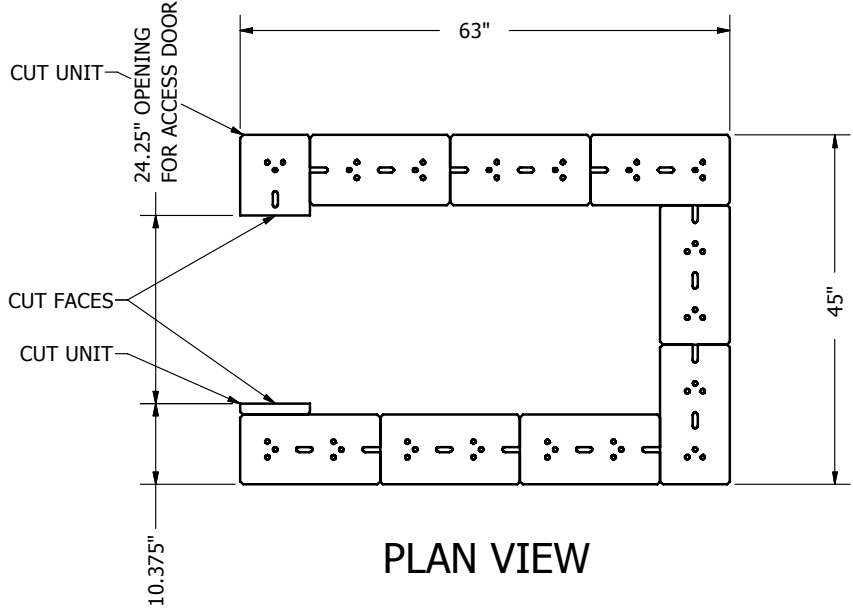


SIDE ELEVATION VIEW

LENZA - 45 x 63 GRILL TOP - LEFT DOOR CUT DESIGN - 4th and 6th COURSES

PRODUCT COUNTS:
 (10) TOTAL CAP UNITS

LENZA - 45 x 63 GRILL TOP - LEFT DOOR DESIGN

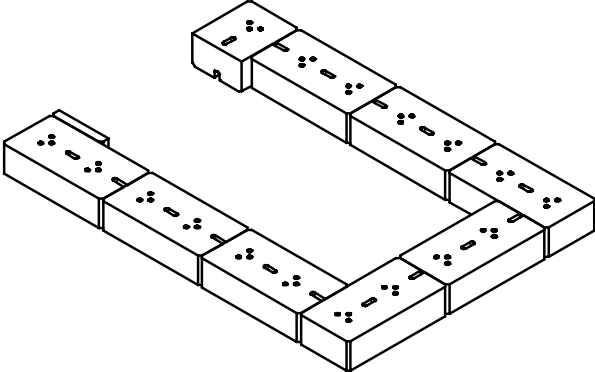


PLAN VIEW



FRONT ELEVATION VIEW

NOTE:
 1. WALL UNITS TO BE INSTALLED WITH CHANNEL ON THE BOTTOM SIDE (PRODUCT IS TO BE INVERTED 180 DEGREES FROM FINISHED PALLET).



ISOMETRIC VIEW



SIDE ELEVATION VIEW

LENZA - 45 x 63 GRILL TOP - LEFT DOOR CUT DESIGN - 5th COURSE

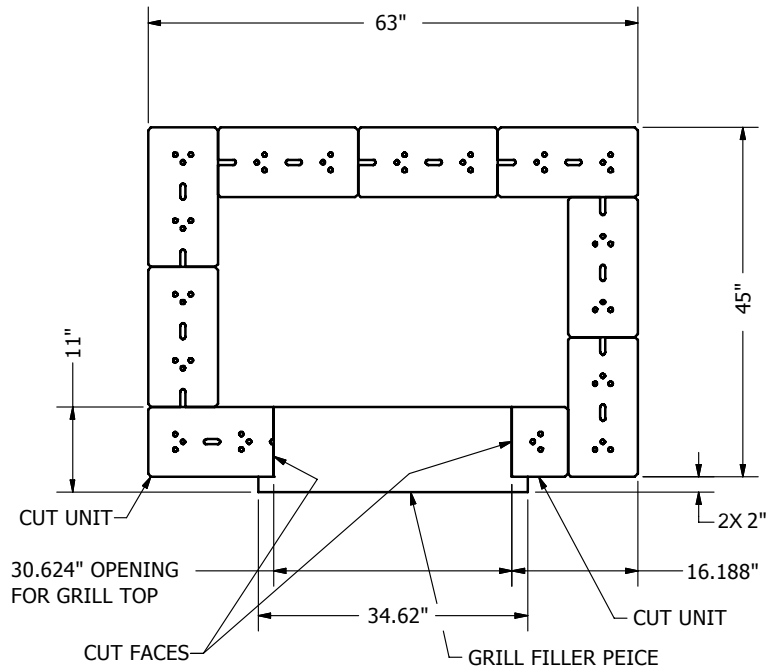
PRODUCT COUNTS:
 (10) TOTAL CAP UNITS

LENZA - 45 x 63 GRILL TOP - LEFT DOOR DESIGN

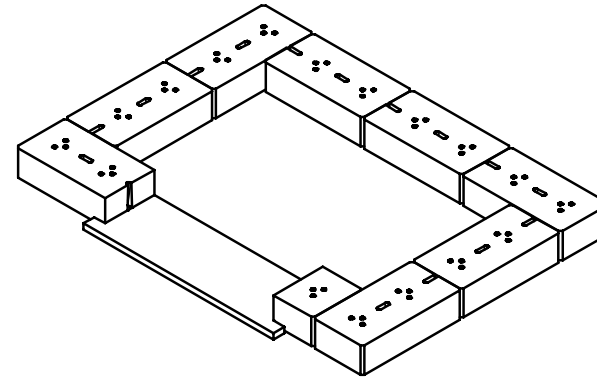
OUTDOOR LIVING DESIGNS

NOTE:

1. WALL UNITS TO BE INSTALLED WITH CHANNEL ON THE BOTTOM SIDE (PRODUCT IS TO BE INVERTED 180 DEGREES FROM FINISHED PALLET).
2. GRILL FILLER PIECE IS TO BE MADE FROM THE SAME MATERIAL AS THE COUNTER TOP, (1" ± THICK).
3. UNLESS OTHERWISE DIRECTED INSTALL AND SECURE GRILL FILLER PIECE WITH APPROVED ADHESIVE OR BONDING AGENT.



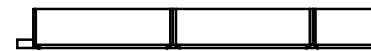
PLAN VIEW



ISOMETRIC VIEW



FRONT ELEVATION VIEW



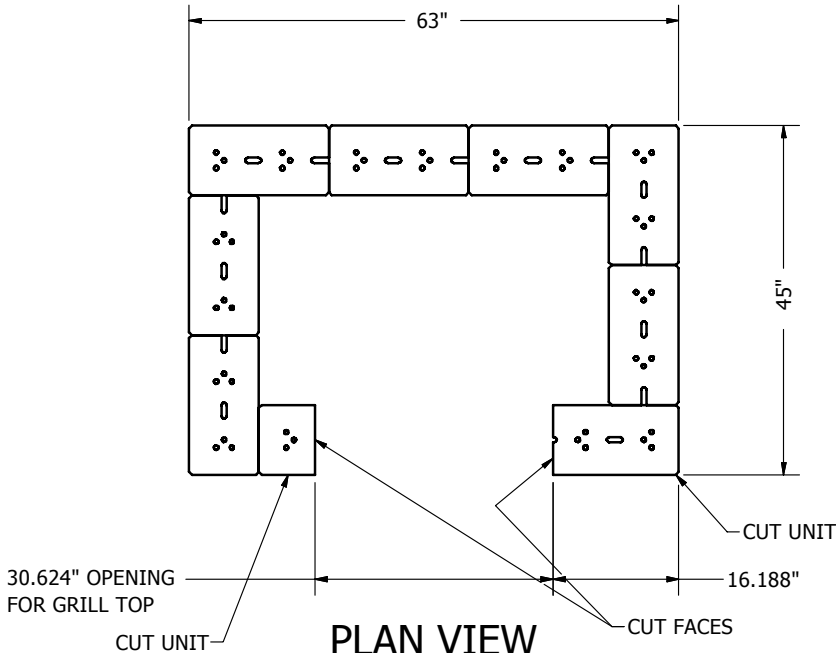
SIDE ELEVATION VIEW

1" GRILL FILLER PIECE

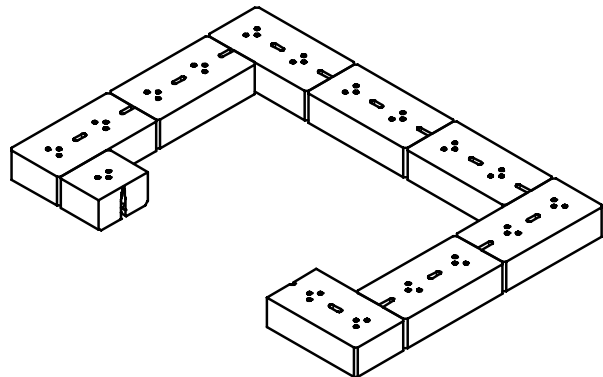
LENZA - 45 x 63 GRILL TOP - LEFT DOOR CUT DESIGN - 7th COURSE

PRODUCT COUNTS:
(9) TOTAL WALL UNITS

LENZA - 45 x 63 GRILL TOP - LEFT DOOR DESIGN



NOTE:
1. WALL UNITS TO BE INSTALLED WITH CHANNEL ON THE BOTTOM SIDE
(PRODUCT IS TO BE INVERTED 180 DEGREES FROM FINISHED PALLET).



ISOMETRIC VIEW



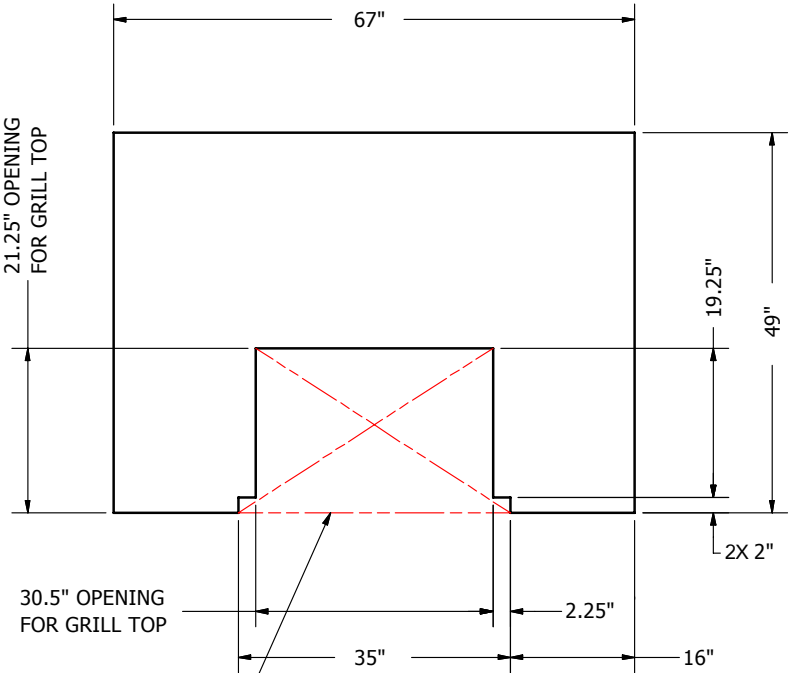
FRONT ELEVATION VIEW



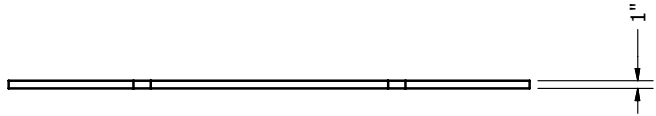
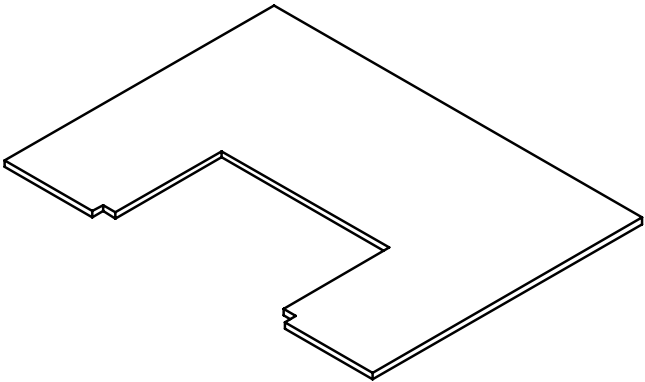
SIDE ELEVATION VIEW

PRODUCT COUNTS:
(9) TOTAL WALL UNITS

LENZA - 45 x 63 GRILL TOP - LEFT DOOR CUT DESIGN - 8th COURSE



NOTE:
1. UNLESS OTHERWISE DIRECTED INSTALL AND SECURE COUNTERTOP WITH APPROVED ADHESIVE OR BONDING AGENT.



LENZA - 45 x 63 GRILL TOP - LEFT DOOR CUT DESIGN - COUNTERTOP COURSE