

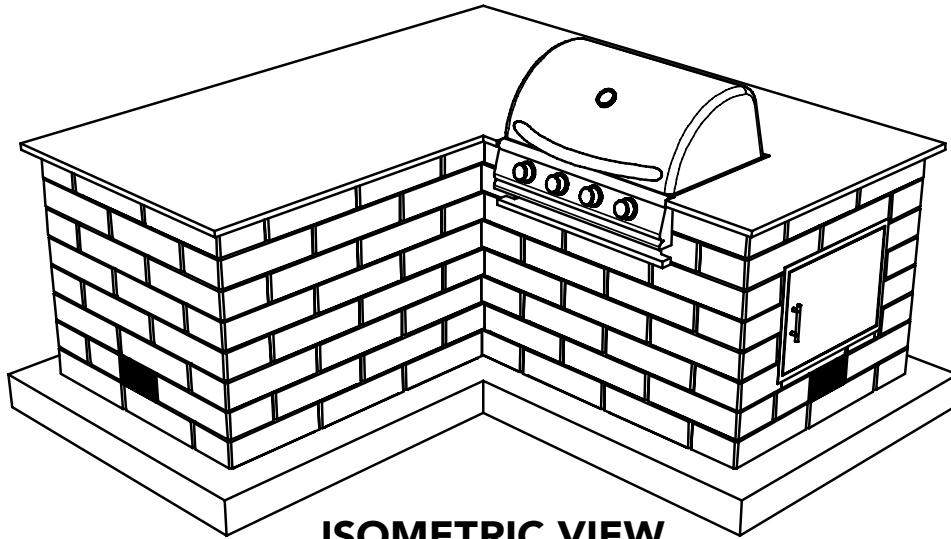
OUTDOOR LIVING DESIGNS

LENZA

45 X 99 L-SHAPE GRILL TOP - RIGHT DOOR DESIGN

LENZA - 45 x 99 L-SHAPE GRILL TOP - RIGHT DOOR DESIGN

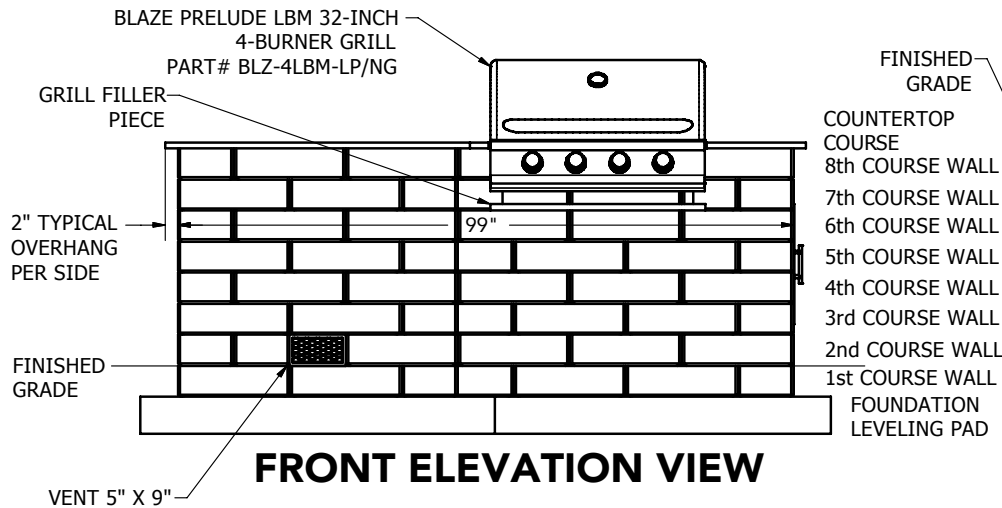
OUTDOOR LIVING DESIGNS



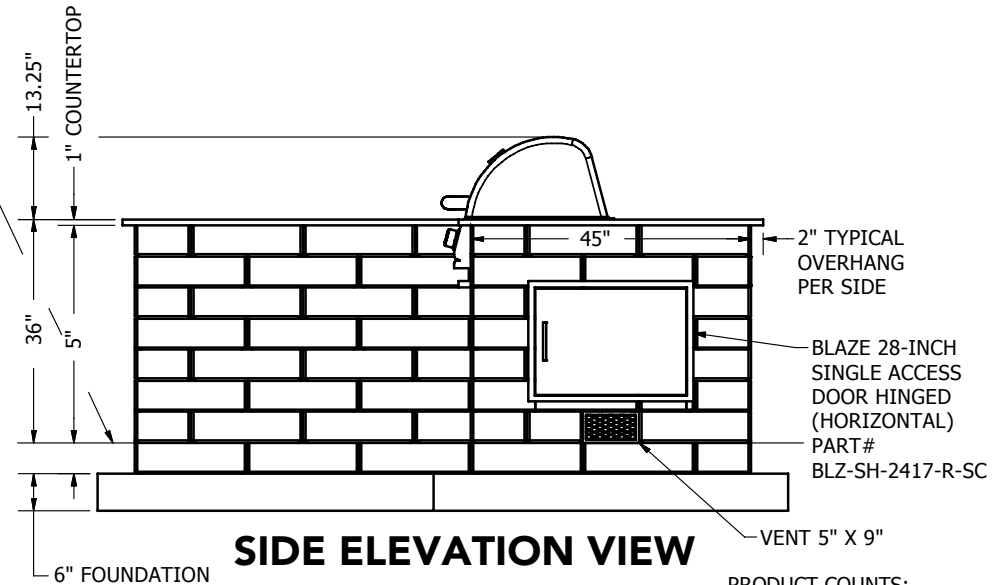
ISOMETRIC VIEW

NOTE:

1. WALL UNITS TO BE INSTALLED WITH CHANNEL ON THE BOTTOM SIDE IN ORDER TO GET THE PROPER CONTEMPORARY ESTHETIC LOOK. (WALL PRODUCT TO BE INVERTED 180 DEGREES FROM FINISHED PALLET WHEN INSTALLED).
2. SECURE EACH UNIT USING APPROVED ADHESIVE OR BONDING AGENT FOLLOWING APPLICATION DIRECTIONS PROVIDED BY PRODUCT SUPPLIER.
3. THIS DESIGN REQUIRES CUTTING UNITS TO PROPERLY FIT THE GRILL TOP AND ACCESS DOOR.
4. BUILT-IN GRILL INSERT AND ACCESS DOOR TO BE INSTALLED PER MANUFACTURES RECOMMENDATIONS.
5. STRUCTURAL SUPPORT FOR BLOCK UNITS OVER OPENINGS NOT SHOWN FOR VISUAL PURPOSES.
6. FOR PROPER INSTALLATION OF GAS GRILL REFER TO BLAZE OUTDOOR PRODUCTS - USE & CARE GUIDE GAS GRILLS BLZ-4LBM (NG/LP).

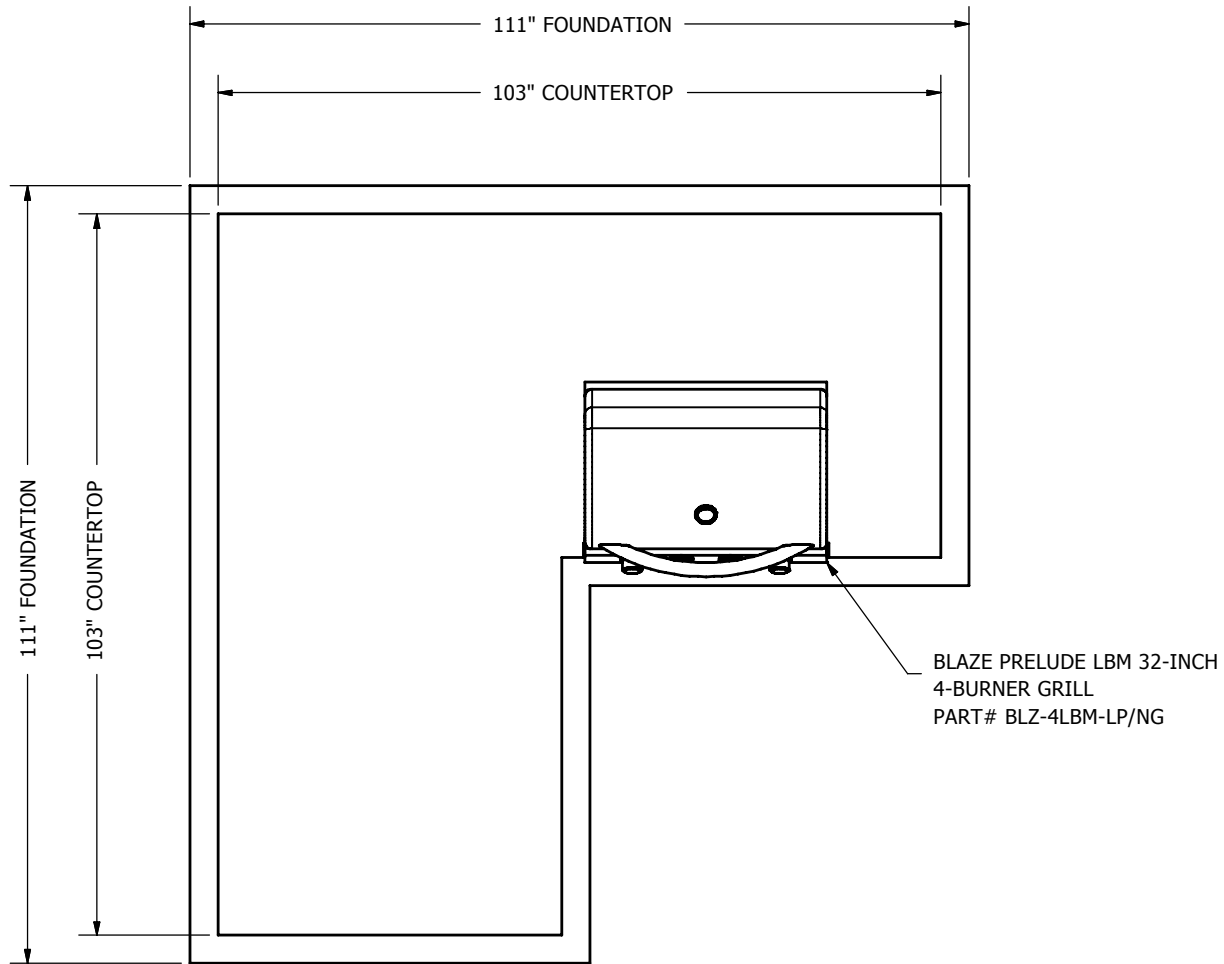


FRONT ELEVATION VIEW



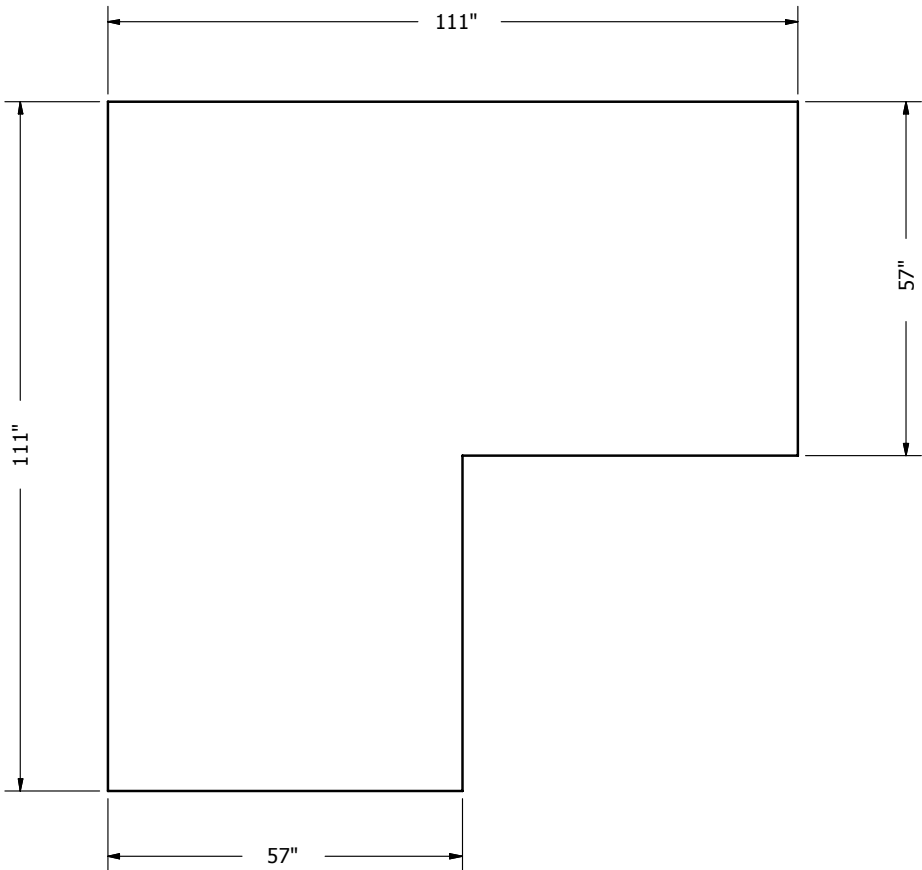
SIDE ELEVATION VIEW

PRODUCT COUNTS:
(160) TOTAL WALL UNITS

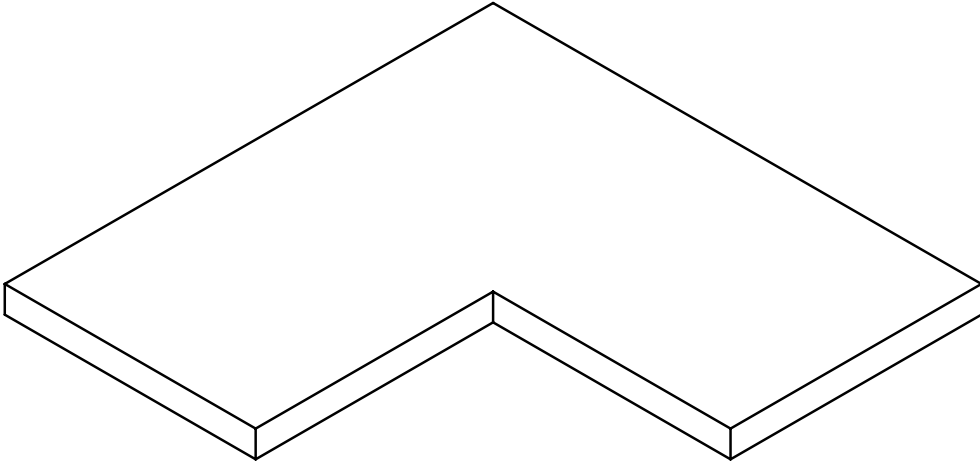


PLAN VIEW

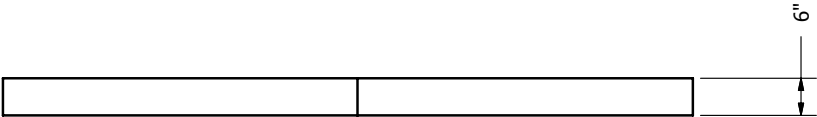
LENZA - 45 x 99 L-SHAPE GRILL TOP - RIGHT DOOR DESIGN



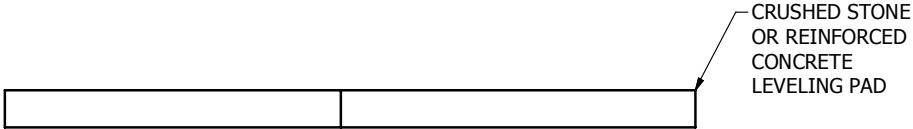
PLAN VIEW



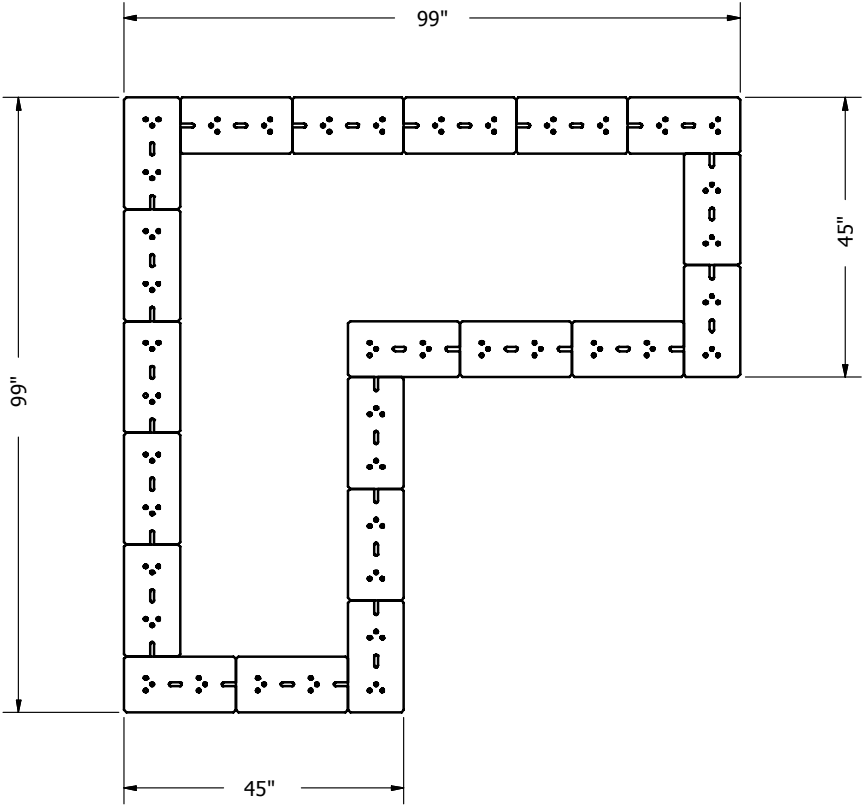
ISOMETRIC VIEW



FRONT ELEVATION VIEW

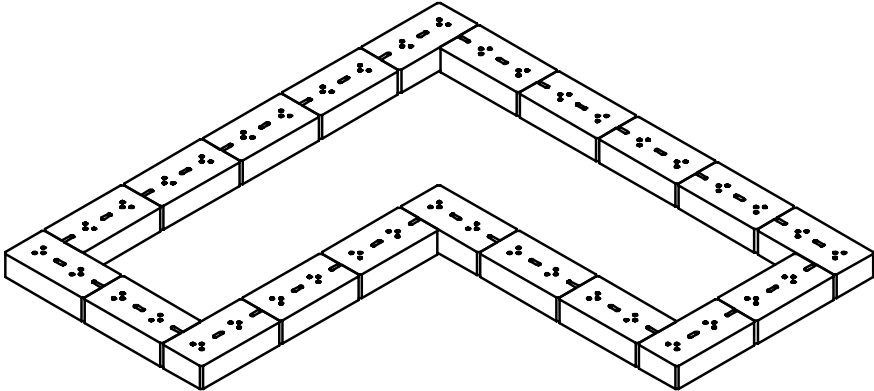


LENZA - 45 x 99 L-SHAPE GRILL TOP - RIGHT DOOR CUT DESIGN - FOUNDATION LEVELING PAD

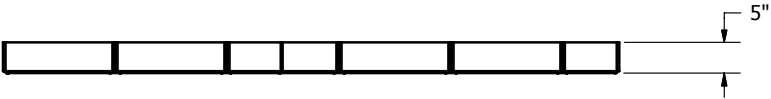


PLAN VIEW

NOTE:
1. WALL UNITS TO BE INSTALLED WITH CHANNEL ON THE BOTTOM SIDE
(PRODUCT IS TO BE INVERTED 180 DEGREES FROM FINISHED PALLET).



ISOMETRIC VIEW



FRONT ELEVATION VIEW



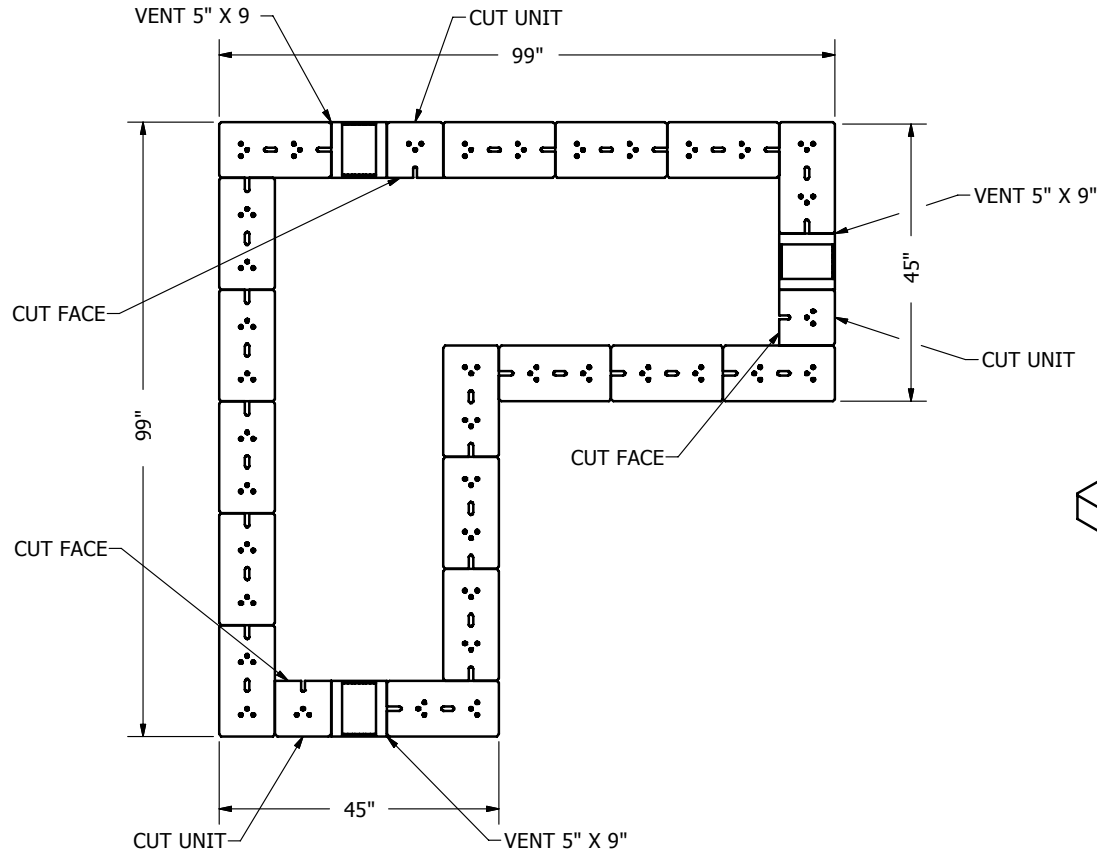
SIDE ELEVATION VIEW

PRODUCT COUNTS:
(20) TOTAL WALL UNITS

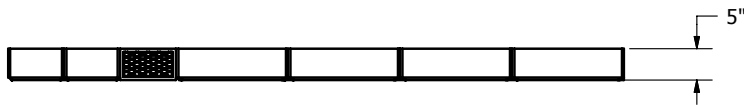
LENZA - 45 x 99 L-SHAPE GRILL TOP - RIGHT DOOR CUT DESIGN - 1st COURSE

LENZA - 45 x 99 L-SHAPE GRILL TOP - RIGHT DOOR DESIGN

OUTDOOR LIVING DESIGNS



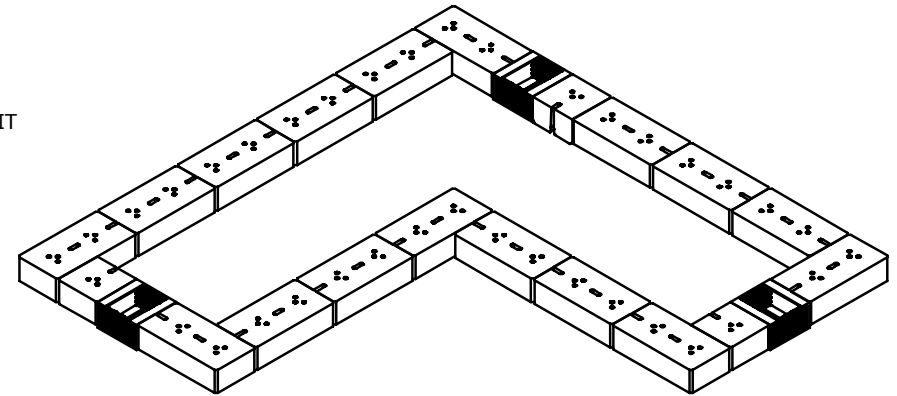
PLAN VIEW



FRONT ELEVATION VIEW

NOTE:

1. WALL UNITS TO BE INSTALLED WITH CHANNEL ON THE BOTTOM SIDE (PRODUCT IS TO BE INVERTED 180 DEGREES FROM FINISHED PALLET).



ISOMETRIC VIEW



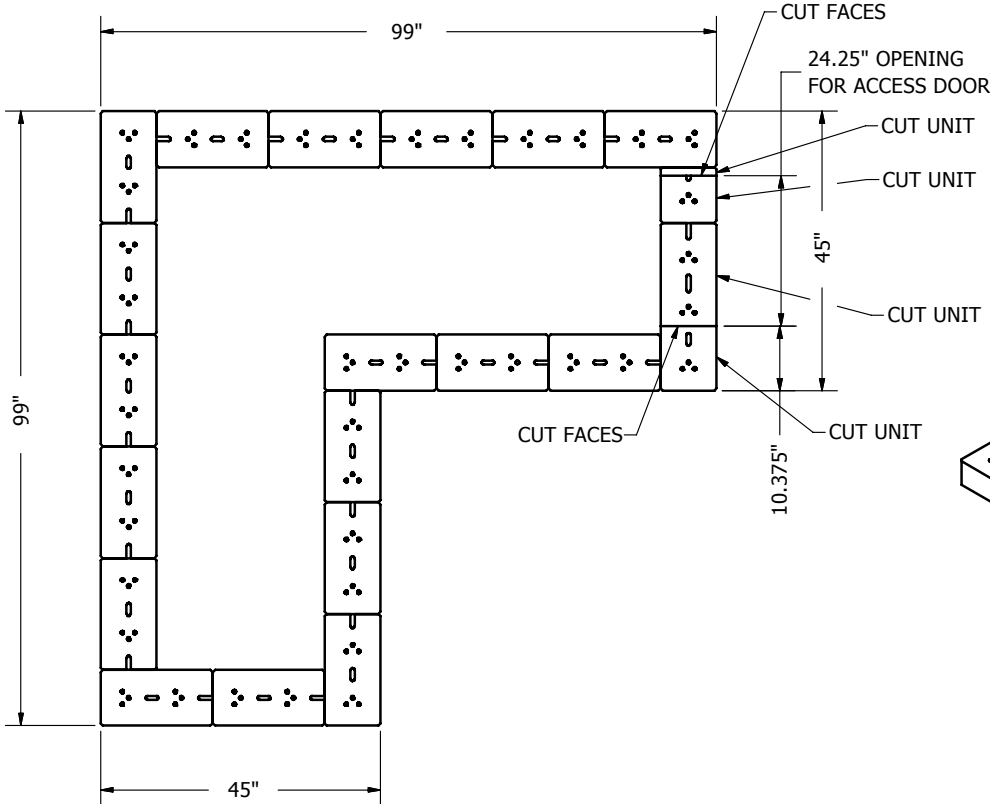
SIDE ELEVATION VIEW

PRODUCT COUNTS:
(20) TOTAL WALL UNITS

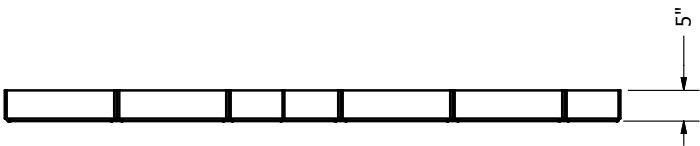
LENZA - 45 x 99 L-SHAPE GRILL TOP - RIGHT DOOR CUT DESIGN - 2nd COURSE

LENZA - 45 x 99 L-SHAPE GRILL TOP - RIGHT DOOR DESIGN

OUTDOOR LIVING DESIGNS

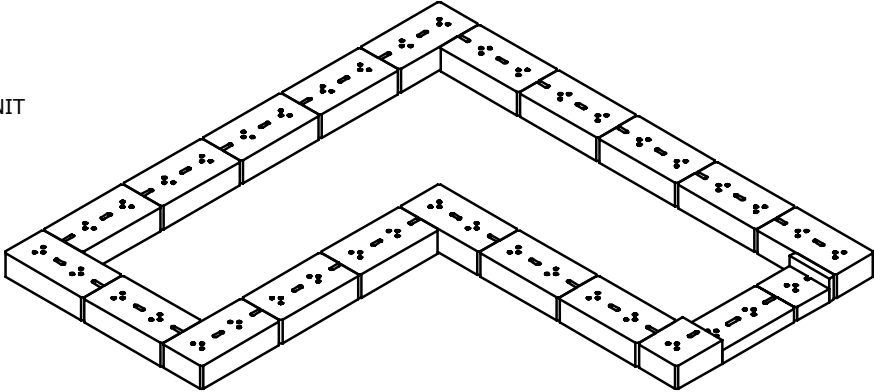


PLAN VIEW

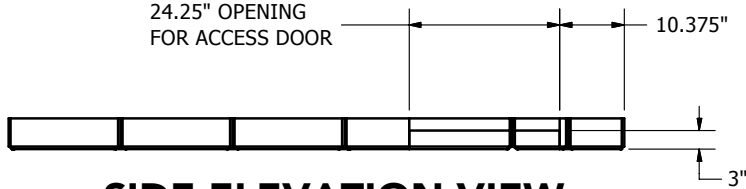


SIDE ELEVATION VIEW

NOTE:
 1. WALL UNITS TO BE INSTALLED WITH CHANNEL ON THE BOTTOM SIDE
 (PRODUCT IS TO BE INVERTED 180 DEGREES FROM FINISHED PALLET).



ISOMETRIC VIEW

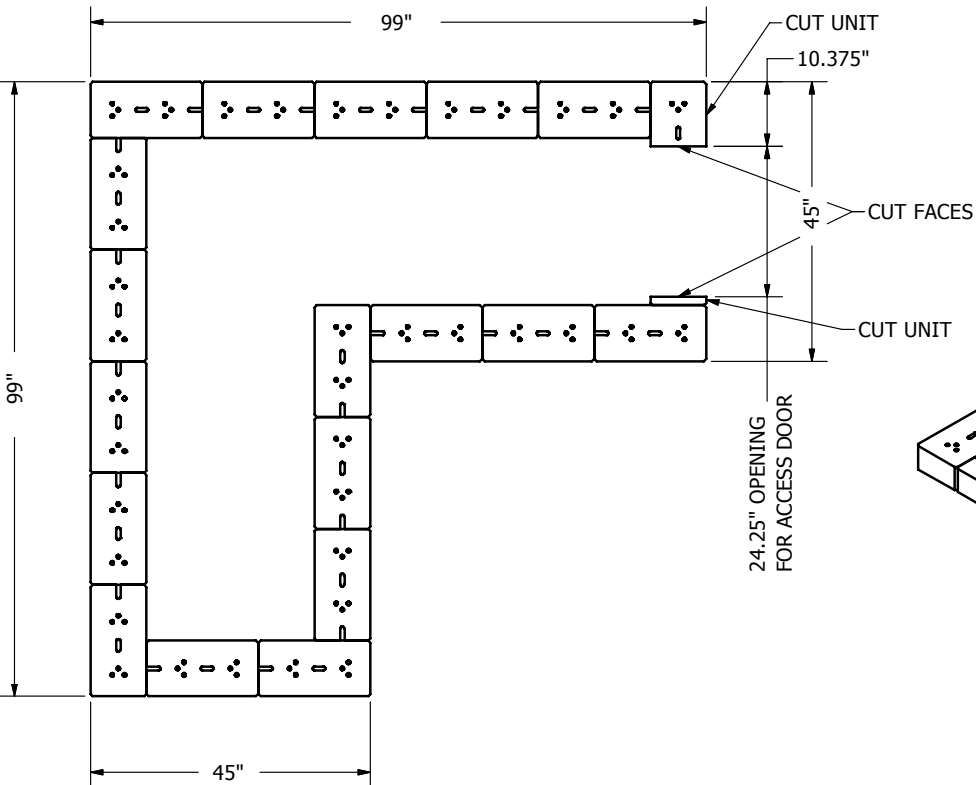


SIDE ELEVATION VIEW

PRODUCT COUNTS:
 (22) TOTAL WALL UNITS

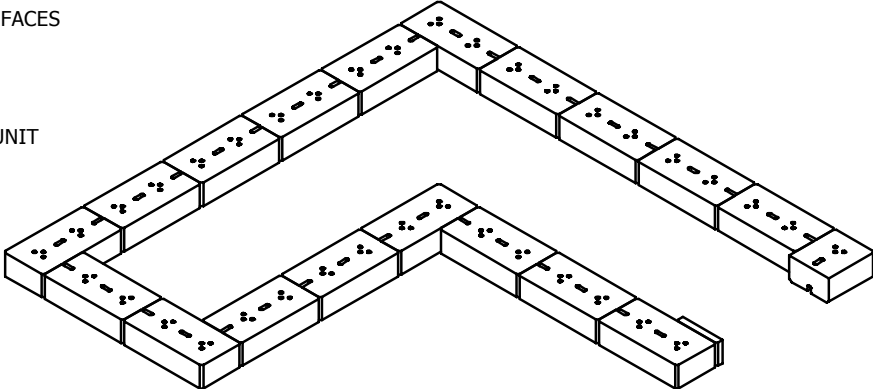
LENZA - 45 x 99 L-SHAPE GRILL TOP - RIGHT DOOR CUT DESIGN - 3rd COURSE

LENZA - 45 x 99 L-SHAPE GRILL TOP - RIGHT DOOR DESIGN



PLAN VIEW

NOTE:
 1. WALL UNITS TO BE INSTALLED WITH CHANNEL ON THE BOTTOM SIDE
 (PRODUCT IS TO BE INVERTED 180 DEGREES FROM FINISHED PALLET).



ISOMETRIC VIEW



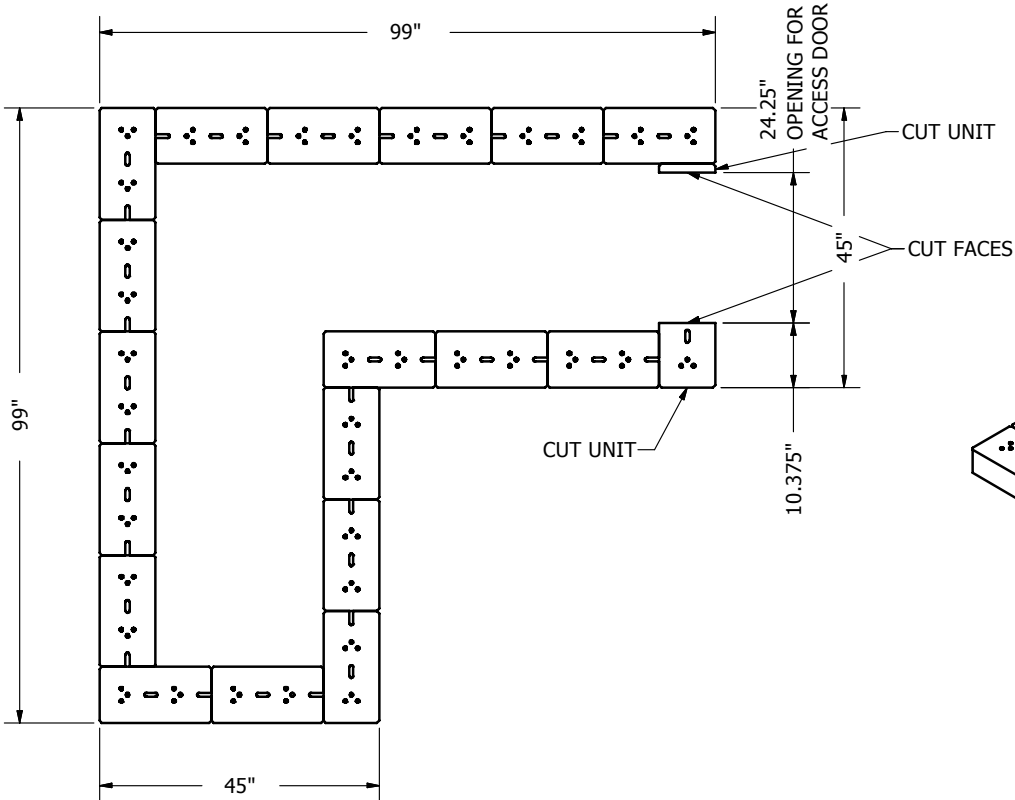
FRONT ELEVATION VIEW



SIDE ELEVATION VIEW

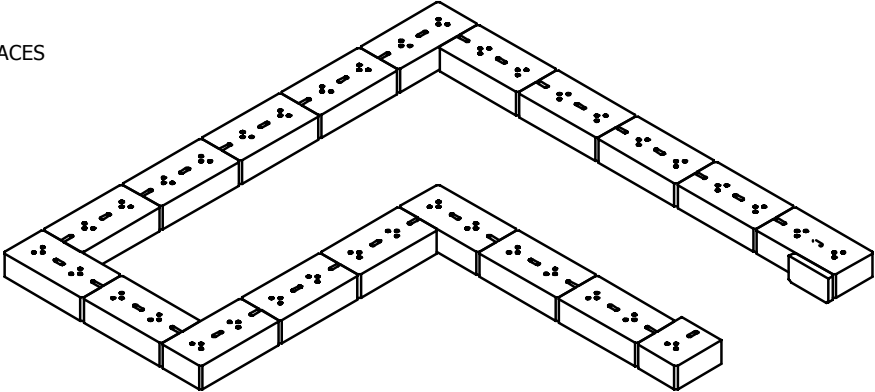
PRODUCT COUNTS:
 (20) TOTAL CAP UNITS

LENZA - 45 x 99 L-SHAPE GRILL TOP - RIGHT DOOR CUT DESIGN - 4th AND 6th COURSES

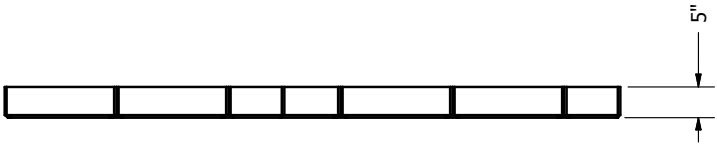


PLAN VIEW

NOTE:
 1. WALL UNITS TO BE INSTALLED WITH CHANNEL ON THE BOTTOM SIDE (PRODUCT IS TO BE INVERTED 180 DEGREES FROM FINISHED PALLET).



ISOMETRIC VIEW



FRONT ELEVATION VIEW



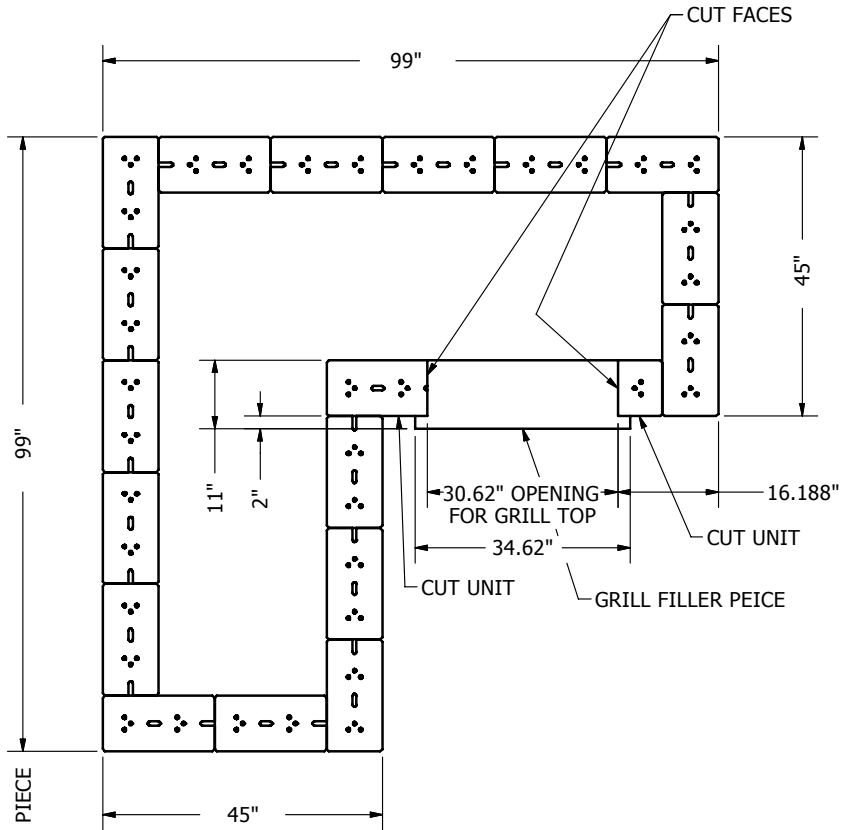
SIDE ELEVATION VIEW

PRODUCT COUNTS:
 (20) TOTAL CAP UNITS

LENZA - 45 x 99 L-SHAPE GRILL TOP - RIGHT DOOR CUT DESIGN - 5th COURSE

LENZA - 45 x 99 L-SHAPE GRILL TOP - RIGHT DOOR DESIGN

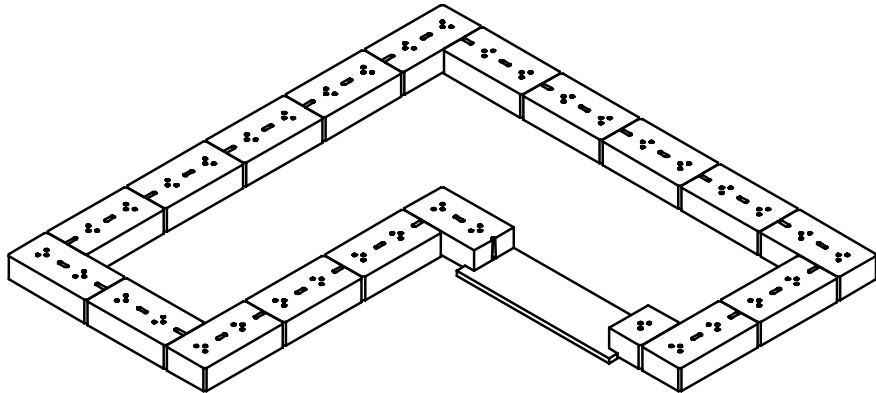
OUTDOOR LIVING DESIGNS



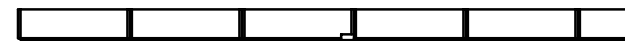
PLAN VIEW



FRONT ELEVATION VIEW



ISOMETRIC VIEW



SIDE ELEVATION VIEW

NOTE:

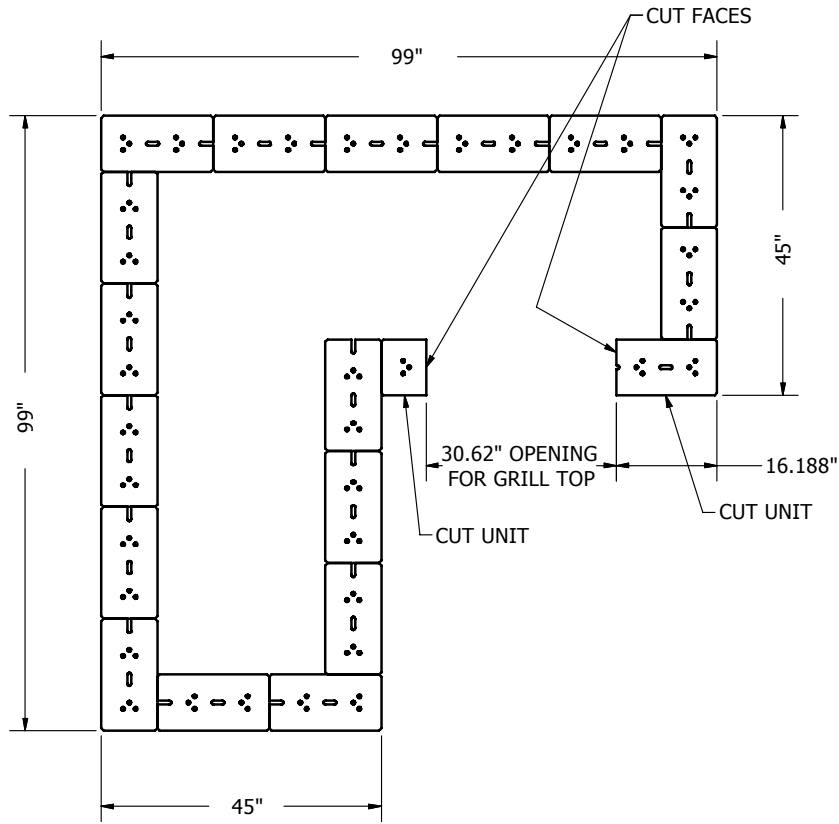
1. WALL UNITS TO BE INSTALLED WITH CHANNEL ON THE BOTTOM SIDE (PRODUCT IS TO BE INVERTED 180 DEGREES FROM FINISHED PALLET).
2. GRILL FILLER PIECE IS TO BE MADE FROM THE SAME MATERIAL AS THE COUNTER TOP, (1" ± THICK).
3. UNLESS OTHERWISE DIRECTED INSTALL AND SECURE GRILL FILLER PIECE WITH APPROVED ADHESIVE OR BONDING AGENT.

PRODUCT COUNTS:
(19) TOTAL WALL UNITS

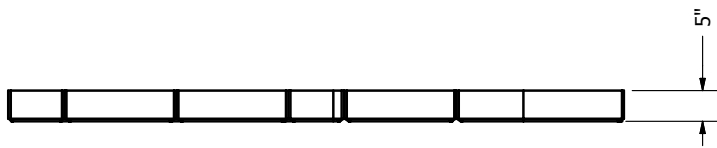
LENZA - 45 x 99 L-SHAPE GRILL TOP - RIGHT DOOR CUT DESIGN - 7th COURSE

LENZA - 45 x 99 L-SHAPE GRILL TOP - RIGHT DOOR DESIGN

OUTDOOR LIVING DESIGNS

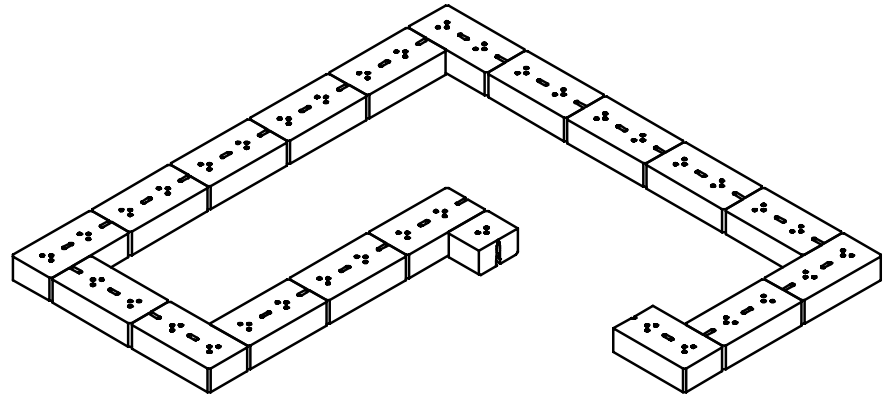


PLAN VIEW



FRONT ELEVATION VIEW

NOTE:
1. WALL UNITS TO BE INSTALLED WITH CHANNEL ON THE BOTTOM SIDE (PRODUCT IS TO BE INVERTED 180 DEGREES FROM FINISHED PALLET).



ISOMETRIC VIEW

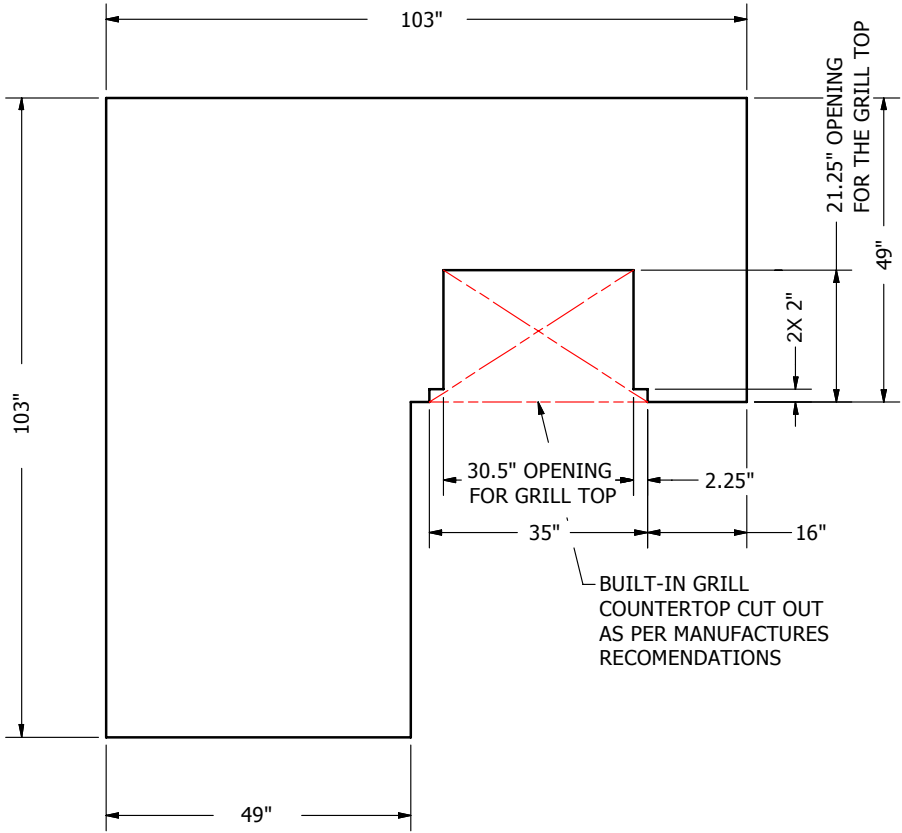


SIDE ELEVATION VIEW

PRODUCT COUNTS:
(19) TOTAL WALL UNITS

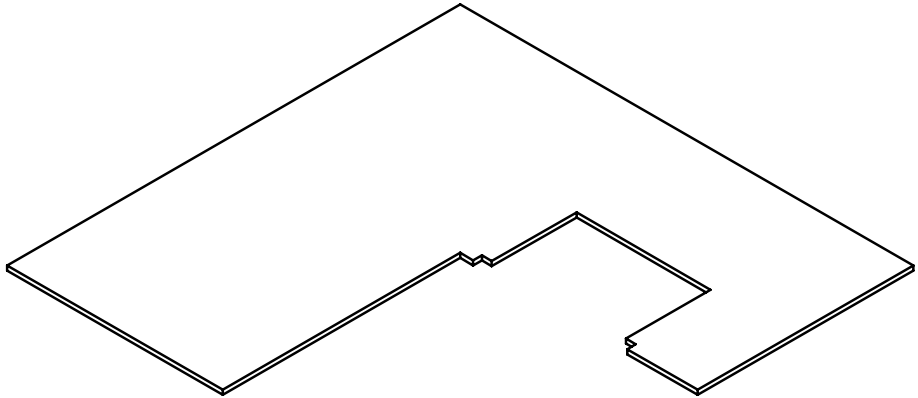
LENZA - 45 x 99 L-SHADE GRILL TOP - RIGHT DOOR CUT DESIGN - 8th COURSE

LENZA - 45 x 99 L-SHAPE GRILL TOP - RIGHT DOOR DESIGN

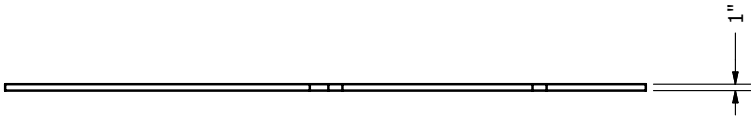


PLAN VIEW

NOTE:
 1. UNLESS OTHERWISE DIRECTED INSTALL AND SECURE COUNTERTOP WITH APPROVED ADHESIVE OR BONDING AGENT.



ISOMETRIC VIEW



FRONT ELEVATION VIEW



SIDE ELEVATION VIEW

LENZA - 45 x 99 L-SHAPE GRILL TOP - RIGHT DOOR CUT DESIGN - COUNTERTOP COURSE