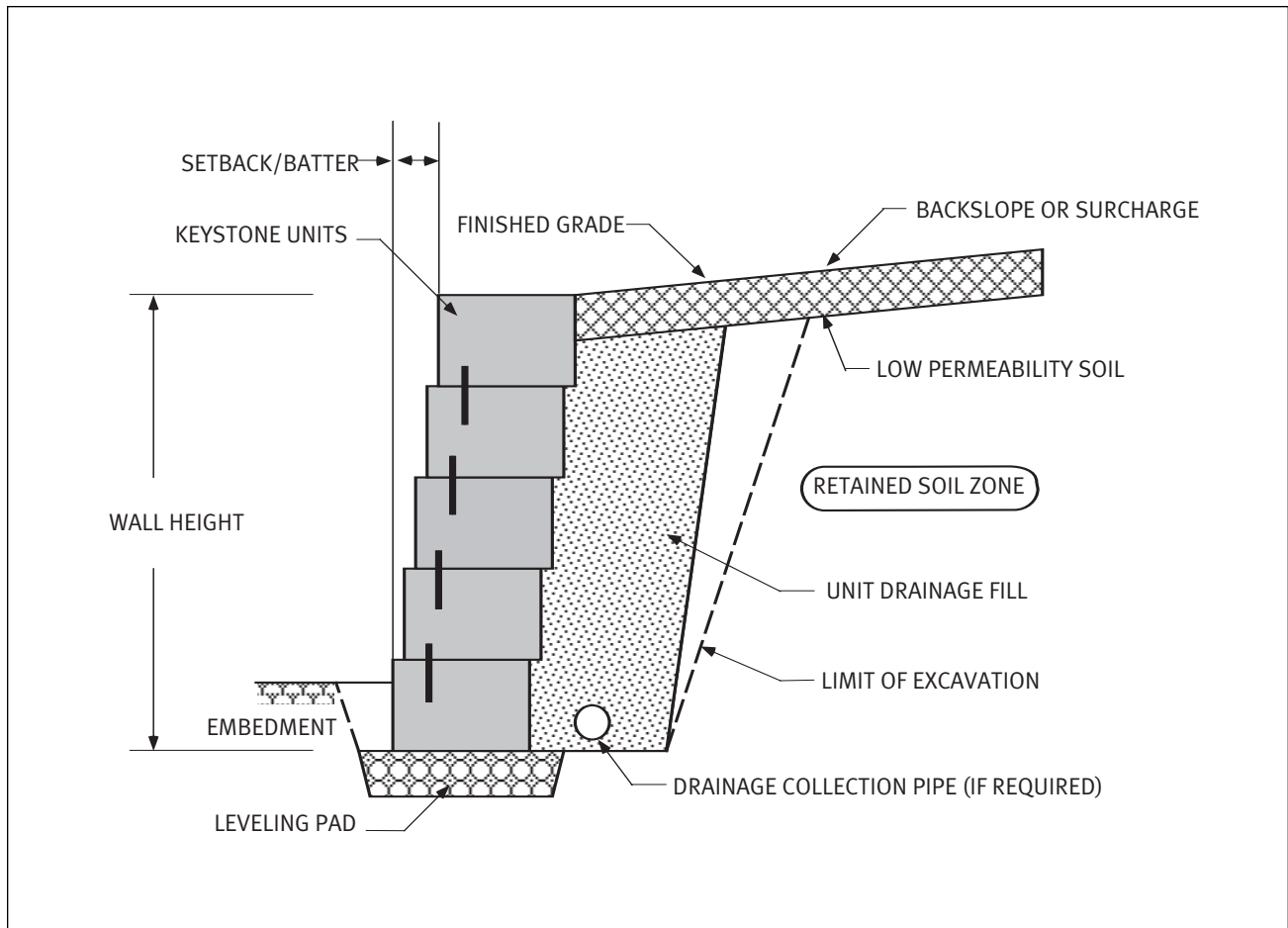


D E S I G N C H A R T S

GRAVITY WALL SCHEMATIC

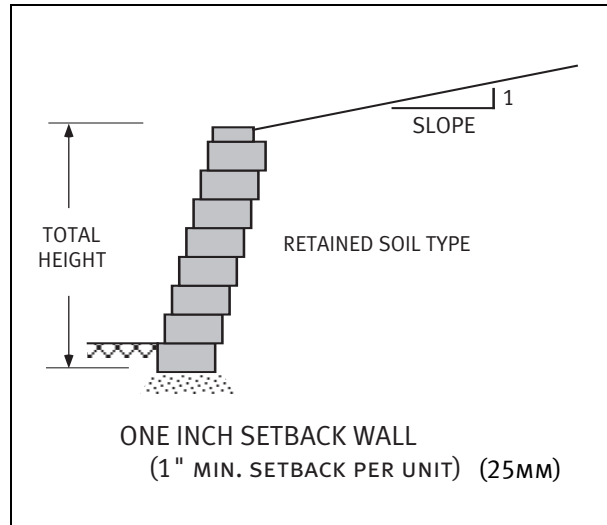
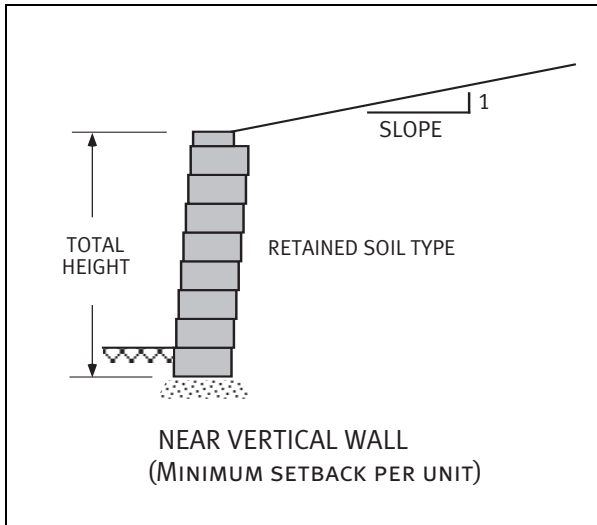


NOTES:

- ▶ Wall Height (H) is the total height from top to bottom.
- ▶ Minimum wall embedment is 6" (150mm) or Height/20, whichever is greater for level toe.
- ▶ Subsurface soils must be capable of supporting wall system.
- ▶ Unit drainage fill is 3/4" (20mm) clean crushed stone.
- ▶ Leveling pad is crushed stone base material.
- ▶ All backfill materials are compacted to 95% max. density.
- ▶ Finished grade must provide positive drainage.
- ▶ The symbol — (5.0') — indicates location and length of geogrid as measured from the connection pins to the end of the geogrid.

D E S I G N C H A R T S

► **GRAVITY WALL TABLES**



► **STANDARD/STANDARD II UNITS (18")**

MAX. HGT.	BACKSLOPE			
	LEVEL	4H:1V	3H:1V	2H:1V
SOIL TYPE				
SAND/GRAVEL	4.3' (1.3M)	4.0' (1.2M)	3.8' (1.2M)	3.4' (1.0M)
SILTY SAND	4.0' (1.2M)	3.6' (1.1M)	3.4' (1.0M)	3.0' (0.9M)
SILT/LEAN CLAY	3.6' (1.1M)	3.2' (1.0M)	3.1' (0.9M)	2.1' (0.6M)

► **STANDARD/STANDARD II UNITS (18")**

MAX. HGT.	BACKSLOPE			
	LEVEL	4H:1V	3H:1V	2H:1V
SOIL TYPE				
SAND/GRAVEL	5.7' (1.7M)	5.2' (1.6M)	5.0' (1.5M)	4.5' (1.4M)
SILTY SAND	5.1' (1.6M)	4.6' (1.4M)	4.3' (1.3M)	3.7' (1.1M)
SILT/LEAN CLAY	4.6' (1.4M)	4.0' (1.2M)	3.8' (1.1M)	2.5' (0.7M)

► **STANDARD UNITS (21.5")**

MAX. HGT.	BACKSLOPE			
	LEVEL	4H:1V	3H:1V	2H:1V
SOIL TYPE				
SAND/GRAVEL	5.2' (1.6M)	4.7' (1.5M)	4.6' (1.4M)	4.1' (1.2M)
SILTY SAND	4.7' (1.4M)	4.3' (1.3M)	4.1' (1.2M)	3.6' (1.1M)
SILT/LEAN CLAY	4.4' (1.3M)	3.9' (1.2M)	3.7' (1.1M)	2.9' (0.9M)

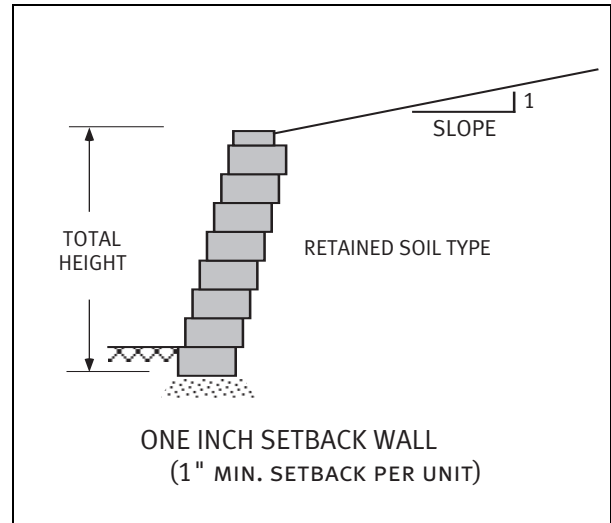
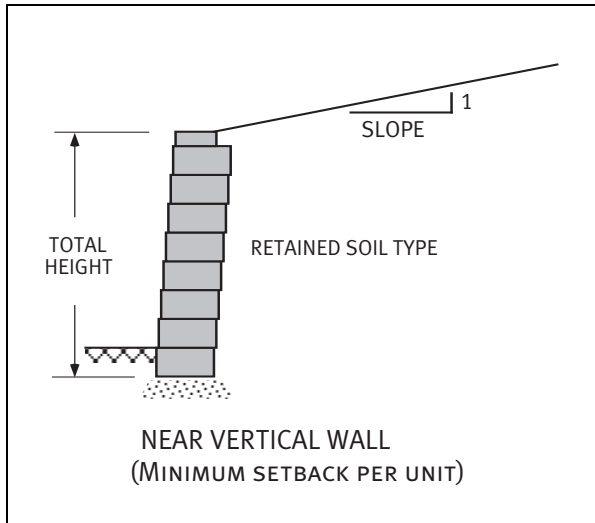
► **STANDARD UNITS (21.5")**

MAX. HGT.	BACKSLOPE			
	LEVEL	4H:1V	3H:1V	2H:1V
SOIL TYPE				
SAND/GRAVEL	6.8' (2.1M)	6.2' (1.9M)	5.9' (1.8M)	5.3' (1.6M)
SILTY SAND	6.1' (1.9M)	5.5' (1.7M)	5.2' (1.6M)	4.4' (1.3M)
SILT/LEAN CLAY	5.3' (1.6M)	4.5' (1.4M)	4.1' (1.2M)	3.2' (1.0M)

NOTES: CALCULATIONS ASSUME A UNIT WEIGHT OF 120 LBS/CF (19KN/SQM) FOR ALL SOIL TYPES. ASSUMED ϕ ANGLES FOR EARTH PRESSURE CALCULATIONS ARE: SAND/GRAVEL=34°, SILTY SAND=30°, AND SANDY SILT/LEAN CLAY=26°. NON CRITICAL STRUCTURES WITH SF>1.5. NO SURCHARGE LOADINGS ARE INCLUDED. SURCHARGES OR SPECIAL LOADING CONDITIONS WILL REDUCE MAXIMUM WALL HEIGHTS. SLIDING CALCULATIONS ASSUME A 6" (150MM) CRUSHED STONE LEVELLING PAD AS COMPACTED FOUNDATION MATERIAL. THE INFORMATION PROVIDED IS FOR PRELIMINARY DESIGN USE ONLY. A QUALIFIED PROFESSIONAL SHOULD BE CONSULTED. KEYSTONE ACCEPTS NO LIABILITY FOR THE IMPROPER USE OF THESE TABLES.

D E S I G N C H A R T S

GRAVITY WALL TABLES



► **COMPAC/COMPAC II UNITS**

MAX. HGT.	BACKSLOPE				
	SOIL TYPE	LEVEL	4H:1V	3H:1V	2H:1V
SAND/GRAVEL	2.9' (0.9M)	2.6' (0.8M)	2.5' (0.8M)	2.3' (0.7M)	
SILTY SAND	2.6' (0.8M)	2.4' (0.7M)	2.3' (0.7M)	2.0' (0.6M)	
SILT/LEAN CLAY	2.4' (0.7M)	2.1' (0.6M)	2.0' (0.6M)	1.7' (0.5M)	

► **COMPAC/COMPAC II UNITS**

MAX. HGT.	BACKSLOPE				
	SOIL TYPE	LEVEL	4H:1V	3H:1V	2H:1V
SAND/GRAVEL	3.8' (1.2M)	3.4' (1.0M)	3.3' (1.0M)	2.9' (0.9M)	
SILTY SAND	3.4' (1.0M)	3.0' (0.9M)	2.9' (0.9M)	2.4' (0.7M)	
SILT/LEAN CLAY	3.0' (0.9M)	2.7' (0.8M)	2.5' (0.8M)	2.1' (0.6M)	

NOTE: The Keystone Compac charts above can also be used for Keystone Century Wall™.

NOTES: CALCULATIONS ASSUME A UNIT WEIGHT OF 120 LBS/CF (19kN/SQM) FOR ALL SOIL TYPES. ASSUMED ϕ ANGLES FOR EARTH PRESSURE CALCULATIONS ARE: SAND/GRAVEL=34°, SILTY SAND=30°, AND SANDY SILT/LEAN CLAY=26°. NON CRITICAL STRUCTURES WITH SF>1.5. NO SURCHARGE LOADINGS ARE INCLUDED. SURCHARGES OR SPECIAL LOADING CONDITIONS WILL REDUCE MAXIMUM WALL HEIGHTS. SLIDING CALCULATIONS ASSUME A 6" (150MM) CRUSHED STONE LEVELLING PAD AS COMPACTED FOUNDATION MATERIAL. THE INFORMATION PROVIDED IS FOR PRELIMINARY DESIGN USE ONLY. A QUALIFIED PROFESSIONAL SHOULD BE CONSULTED. KEYSTONE ACCEPTS NO LIABILITY FOR THE IMPROPER USE OF THESE TABLES.



© 2006 KEYSTONE RETAINING WALL SYSTEMS, INC.
Minneapolis, Minnesota
(952) 897-1040
(952) 897-3858-fax
www.keystonewalls.com

The information contained herein has been compiled by Keystone® Retaining Wall Systems, Inc. and to the best of our knowledge, accurately represents the Keystone product use in the applications which are illustrated. Final determination of the suitability for the use contemplated and its manner of use are the sole responsibility of the user. Structural design and analysis shall be performed by a qualified engineer.