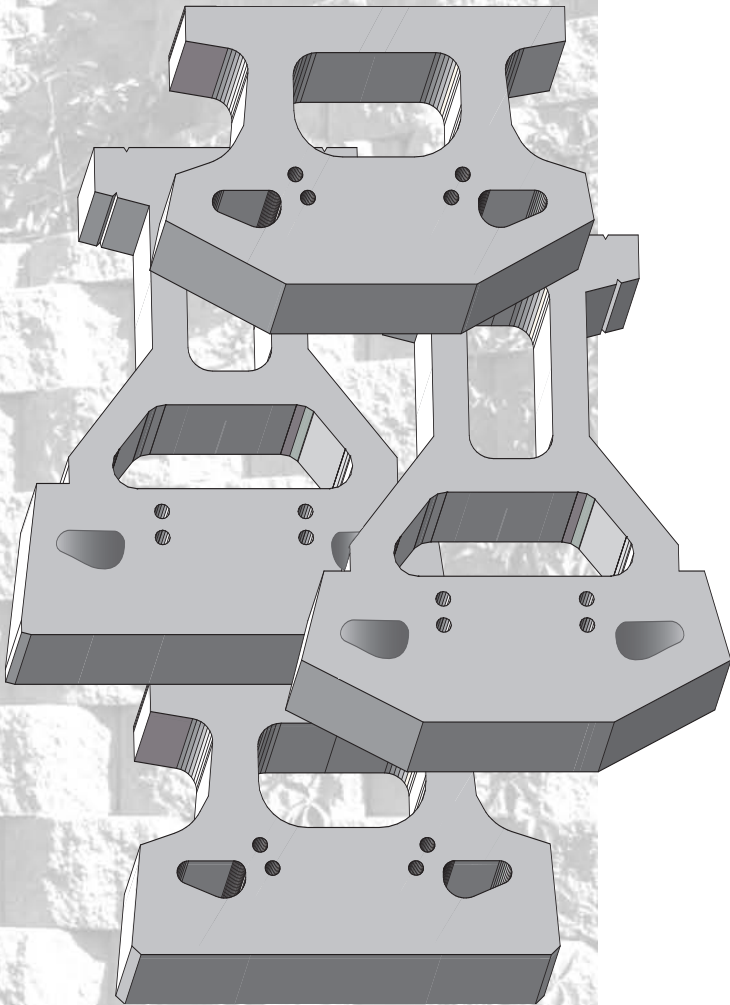


KEYSTONE UNITS

Standard Unit ◀

Compac Unit ◀



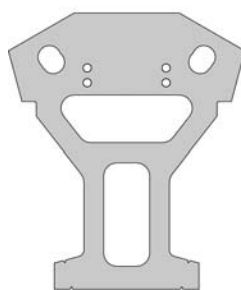
KEYSTONE UNITS

STANDARD UNITS

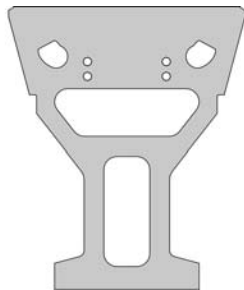
Keystone retaining wall units have evolved from the original Standard unit created in 1985 to a wide range of structural and landscaping products to accommodate most architectural, structural, and constructibility requirements. Keystone producers have a wide selection of Keystone products to choose from and generally manufacture those product lines that sell best in their local marketplace and can be produced efficiently with their production equipment. However, this has resulted in not all products, colors, and finishes being available in every market and minor fabrication differences occurring in products fabricated at different plant locations.

The Construction Manual addresses Keystone structural products which can be divided into two basic groups: Standard sized units, depth $\geq 18"$ (455mm) and Compac size units, depth = 12" (305mm). The Standard units can provide more design options and stability due to the larger unit size as described in the Manual, while the smaller Compac size units have some performance restrictions but are generally available at a lesser unit cost.

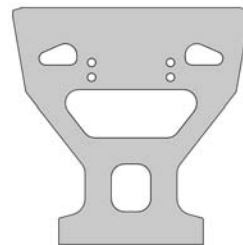
	Standard 21"	Standard 18"	Standard II
Unit Height	8" (200mm)	8" (200mm)	8" (200mm)
Unit Width	18" (455mm)	18" (455mm)	18" (455mm)
Unit Depth	21.5" (545mm)	18" (455mm)	18" (455mm)
Face Area per Unit	1SF (.093m ³)	1SF (.093m ³)	1SF (.093m ³)
Unit Weight	95-125lbs(43-56kg)	90-115lbs (41-53kg)	90-115lbs (41-53kg)
Volume of Voids to Tail	0.90 ft ³ /ft ² (0.27m ³ /m ²)	0.70 ft ³ /ft ² (0.21m ³ /m ²)	0.70 ft ³ /ft ² (0.21m ³ /m ²)
Volume of Voids to 24" depth	1.16 ft ³ /ft ² (0.36m ³ /m ²)	1.20 ft ³ /ft ² (0.37m ³ /m ²)	1.20 ft ³ /ft ² (0.37m ³ /m ²)



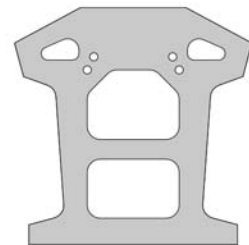
Standard 21"
TriPlane



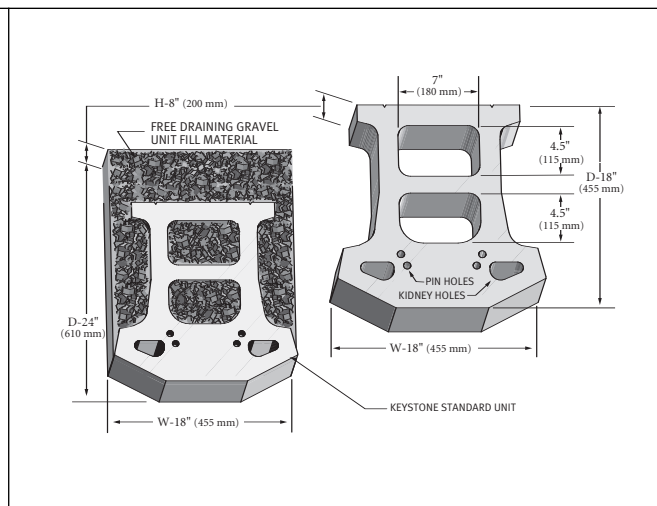
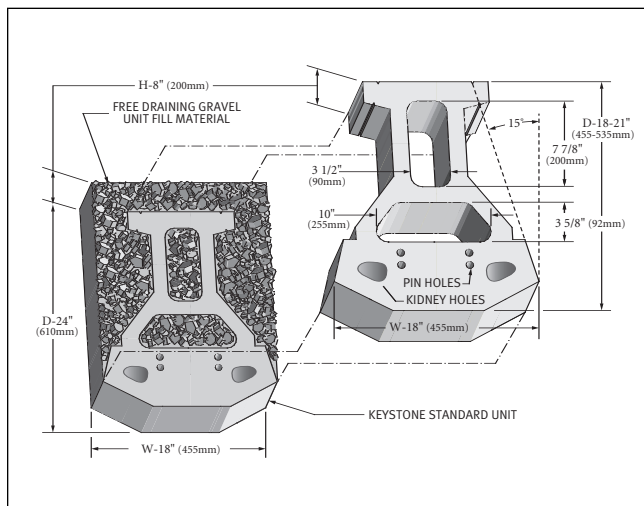
Standard 21"
Straight



Standard 18"
Straight



Standard II
TriPlane



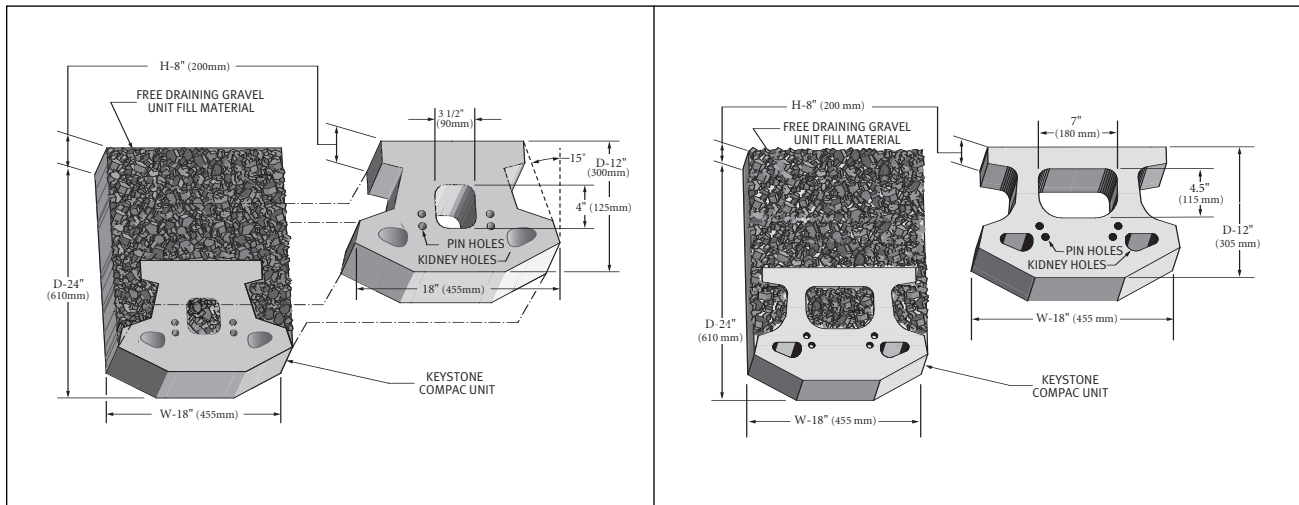
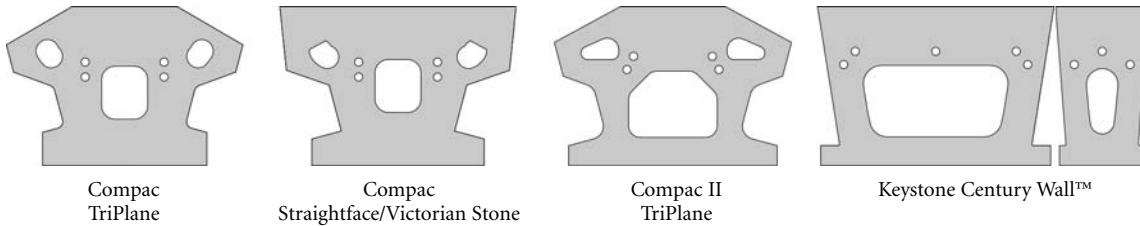
NOTE: Unit weights, dimensions and availability vary by manufacturer. Please contact your local representative.

K E Y S T O N E U N I T S

► **COMPAC UNITS**

	Compac	Compac II	KS Century Wall
Unit Height	8" (200mm)	8" (200mm)	8" (200mm)
Unit Width	18" (455mm)	18" (455mm)	7"-18" (175-455mm)
Unit Depth	12" (300mm)	12" (300mm)	12" (300mm)
Face Area per Unit	1SF (.093m ³)	1SF (.093m ³)	0.39 - 1SF
Unit Weight	85lbs(39kg)	79lbs (36kg)	37-90lbs (17-41kg)
Volume of Voids to Tail	0.30 ft ³ /ft ² (0.09m ³ /m ²)	0.35 ft ³ /ft ² (0.11m ³ /m ²)	0.40 ft ³ /ft ² (0.12m ³ /m ²)
Volume of Voids to 24" depth	1.30 ft ³ /ft ² (0.40m ³ /m ²)	1.35 ft ³ /ft ² (0.41m ³ /m ²)	1.40 ft ³ /ft ² (0.43m ³ /m ²)

KS = Keystone



NOTE: Unit weights, dimensions and availability vary by manufacturer. Please contact your local representative.