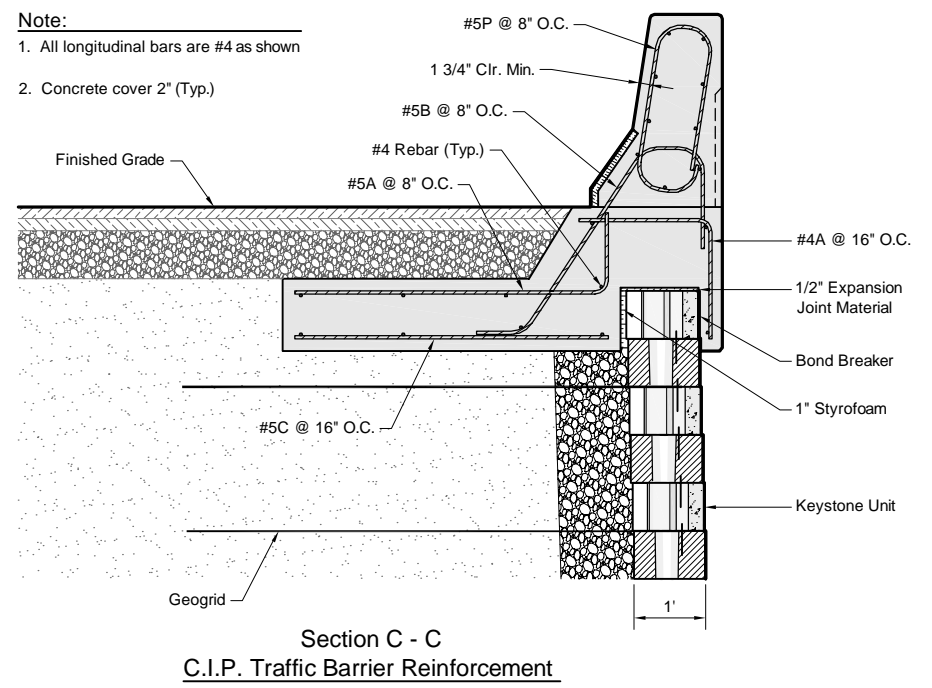
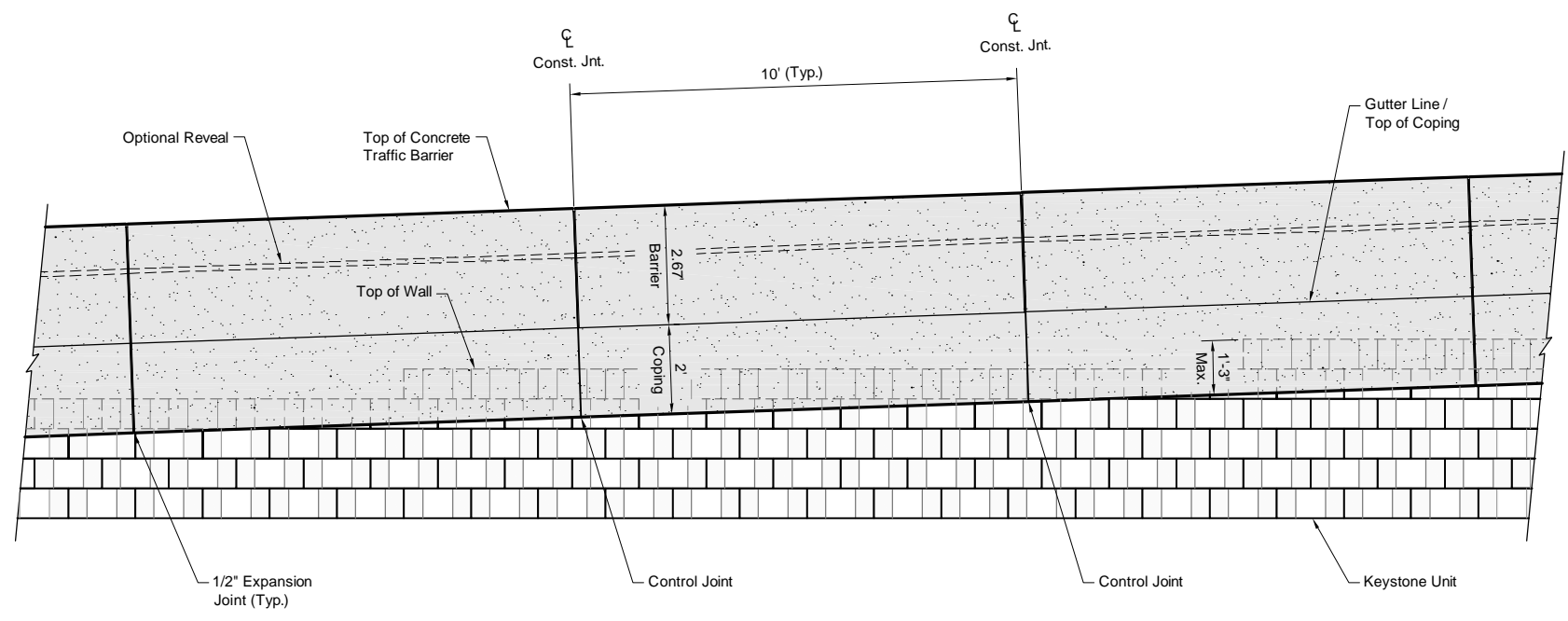


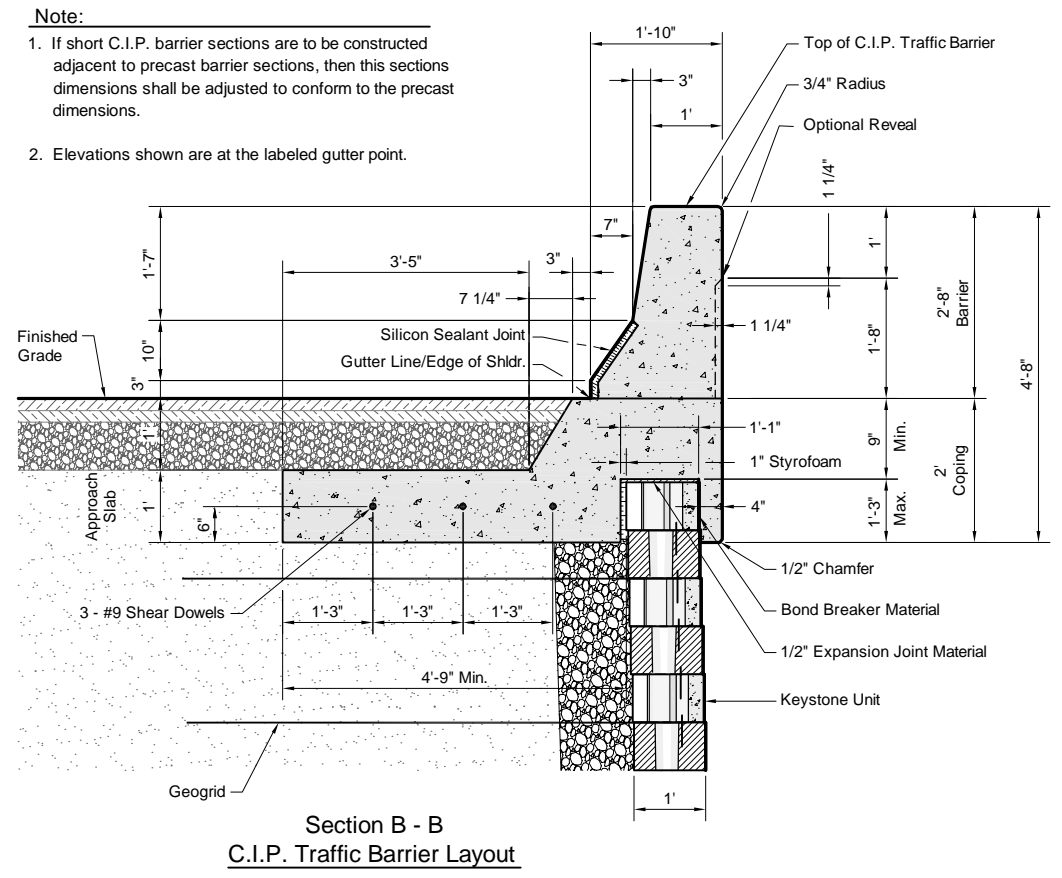
Partial C.I.P. Traffic Barrier Plan



Section C - C
C.I.P. Traffic Barrier Reinforcement



Partial C.I.P. Traffic Barrier Elevation A - A



Section B - B
C.I.P. Traffic Barrier Layout

Copyright 2003 Keystone Retaining Wall Systems

Design is for internal stability of the KEYSTONE wall structure only. External stability, including but not limited to foundation and slope stability is the responsibility of the Owner. The design is based on the assumption that the materials within the retained mass, methods of construction, and quality of materials conform to KEYSTONE's specification for this project.

This drawing is being furnished for this specific project only. Any party accepting this document does so in confidence and agrees that it shall not be duplicated in whole or in part, nor disclosed to others without the consent of Keystone Retaining Wall Systems, Inc.

| No. | Date | Revision | By |
|-----|------|----------|----|
| | | | |
| | | | |
| | | | |



| | | |
|---------------------|---|-------------|
| Designed By: RKM | Title: Cast in Place Traffic Barrier Details | Date: |
| Checked By: CDM | Project: Keystone Retaining Wall Systems Typical Wall Details | Project No: |
| Scale: No Scale | | Drawing No: |